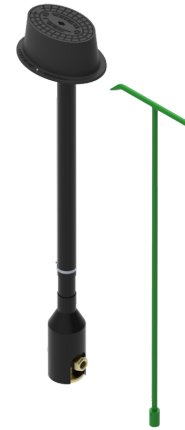


## Main hydrant - set DN 20

For use in frost-free areas under floors, connection: female thread on both sides, automatic draining of the outlet side when shut off, flange plate for fastening, raw brass, with thermowell, Climbing key with operating square SW 11.5 mm, 1.10 m socket wrench and tap box



### Attributes

- With riser and socket wrench
- Automatic draining
- Use in frost-free areas
- Brass housing

### Variants

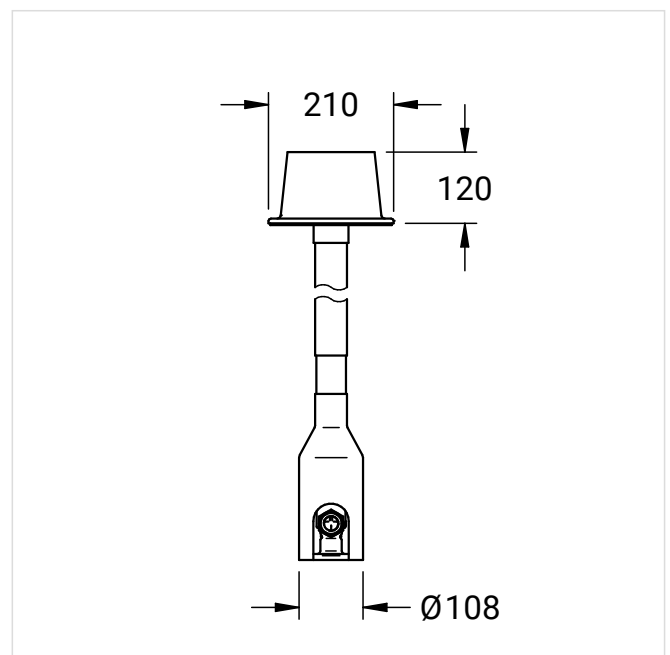
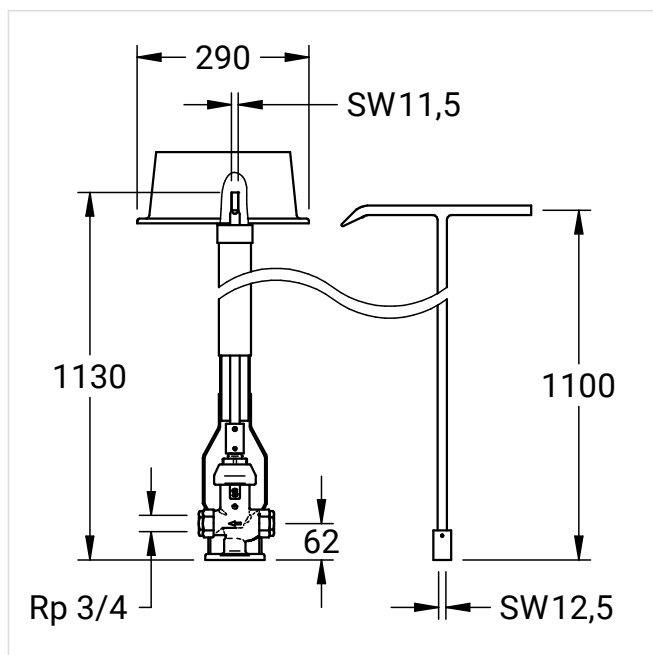
Art.-No.:

Ausführung mit Steigeschlüssel 0,95 m. **80 1061 30**

Ausführung mit Steigeschlüssel 1,50 m  
(Maßzeichnung siehe Downloads - Datenblatt) **80 1065 30**

## Dimensional Drawings

Art.-No.: 80 1061 30



Art.-No.: 80 1065 30

