

Main hydrant - set DN 32

For use in frost-free areas under floors, connection: female thread on both sides, automatic draining of the outlet side when shut off, flange plate for fastening, raw brass, with thermowell, Climbing key with operating square SW 11.5 mm, 1.10 m socket wrench and tap box



Attributes

Variants

Art.-No.:

Ausführung mit Steigeschlüssel 0,95 m.

80 1061 50

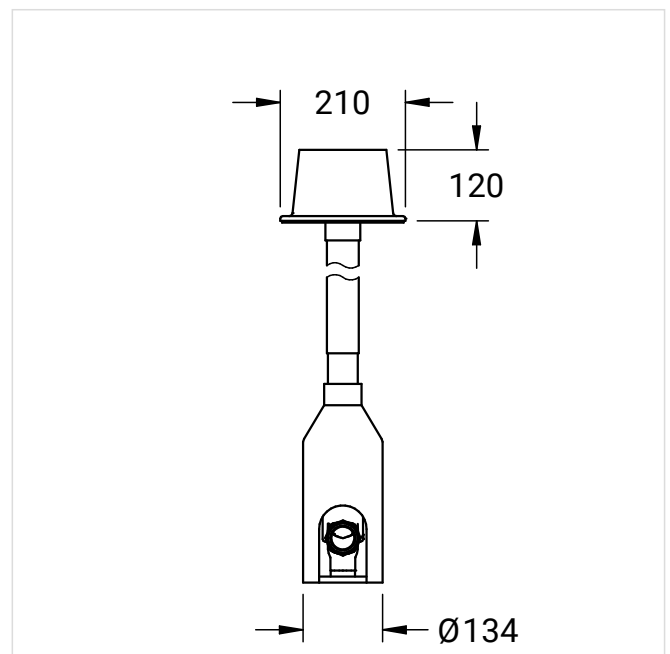
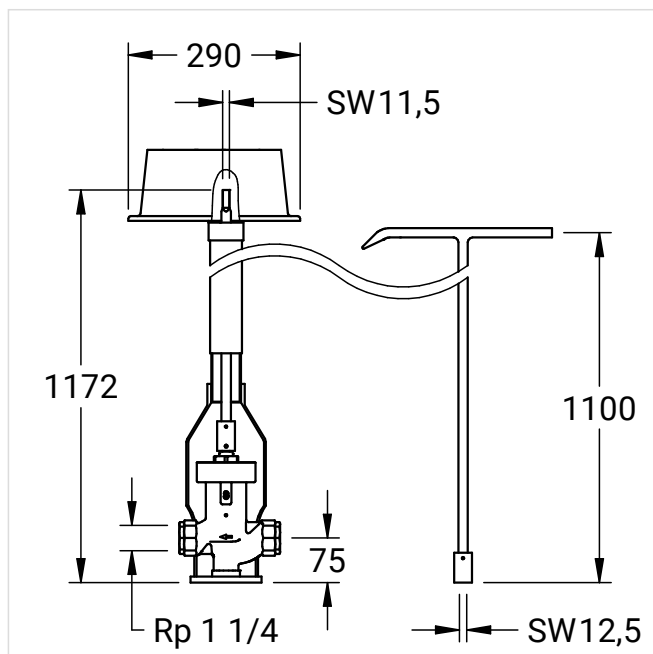
Version with climbing key 1.50 m.

(Dimensional drawing see downloads - data sheet)

80 1065 50

Dimensional Drawings

Art.-No.: 80 1061 50



Art.-No.: 80 1065 50

