

NOVALAB Laboratory column for water, connection Ø8 mm



Attributes

- All-metal valve body, EPS-coated, grey RAL 7035
- Mounting thread G3/4" - 70 mm long
- Connection pipe Ø 8x1

Variants

Hight = 200 mm

Art.-No.:

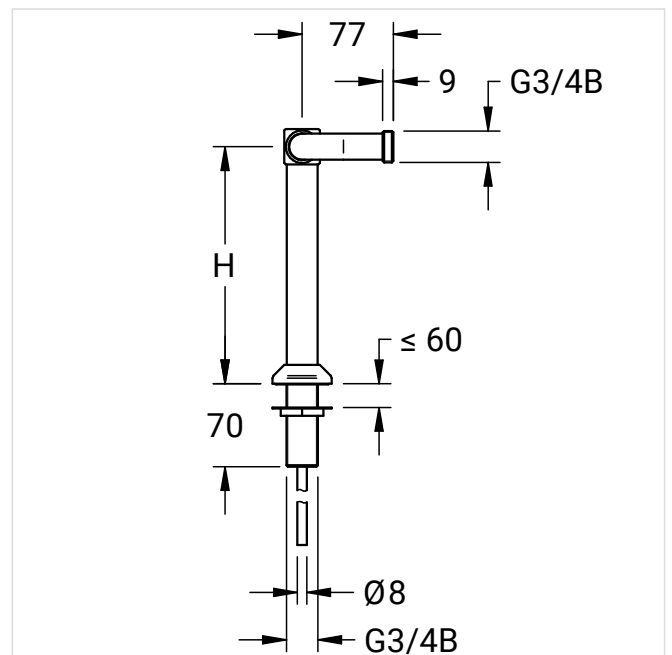
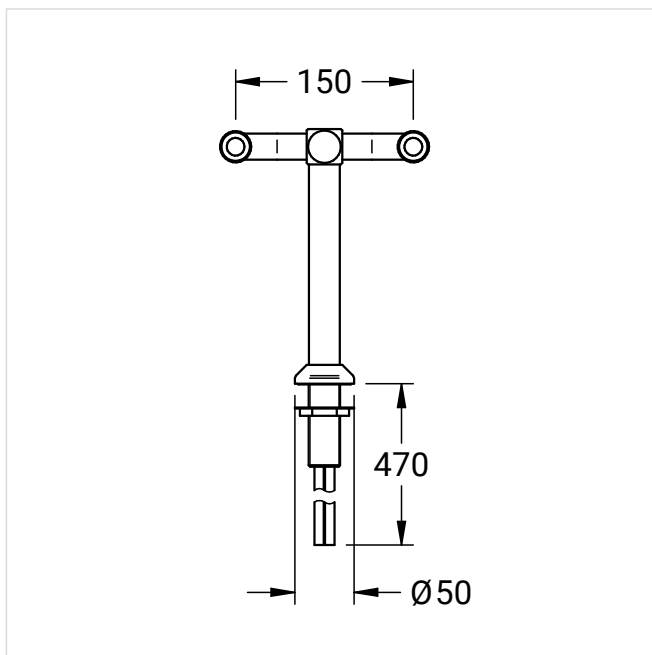
71 2004 35 00

H = 300 mm

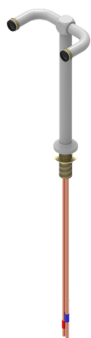
71 3004 35 00

Dimensional Drawings

Art.-No.: 71 2004 35 00



Further product images



Art.-No.: 71 3004 35 00