

NOVALAB laboratory bench mounted ceramic disc valve for burning gases with fixed nozzle, connection thread G1/2"



Attributes

- Headwork with ceramic discs 90°, maintenance free
- All-metal valve body, EPS-coated, grey RAL 7035
- Two-part ergonomic operating handle according to DIN 13792 with anti-twist protection and visually recognisable operating state
- Nominal pressure PN 0,2 bar
- Connection/fastening thread G1/2" - 70 mm long
- Hose nozzle diameter 10/13 mm
- With mounting set

Variants

for burning gas (G)

Art.-No.:

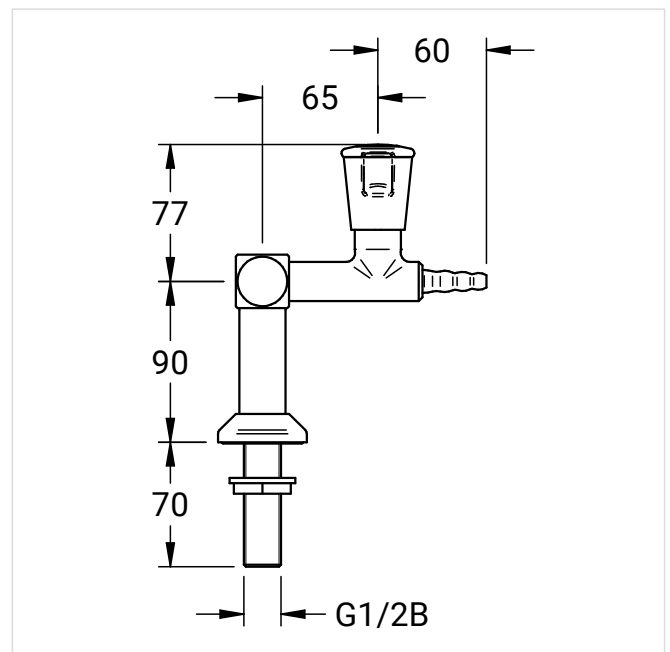
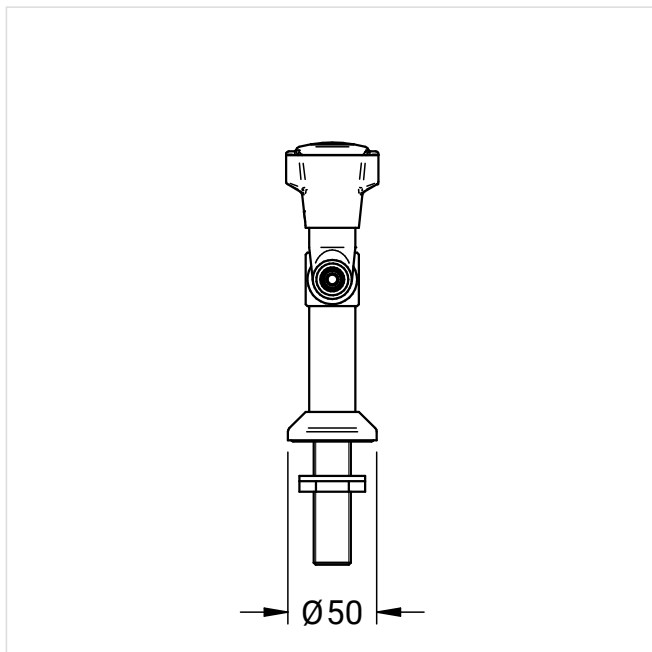
78 9811 25 35

for propane (C₃H₈)

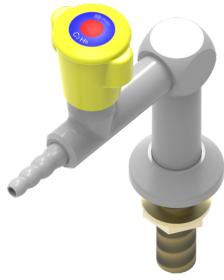
78 9811 25 39

Dimensional Drawings

Art.-No.: 78 9811 25 35



Further product images



Art.-No.: 78 9811 25 39