

**NOVALAB laboratory knee 90° for demineralized water (WDC) with nozzle, connection G1/2"**



**Attributes**

- All-metal valve body, EPS-coated, grey RAL 7035
- Connection/fastening thread G1/2" - 12 mm long
- Hose nozzle diameter 10/13 mm

**Variants**

**Art.-No.:**

Projection = 50 mm

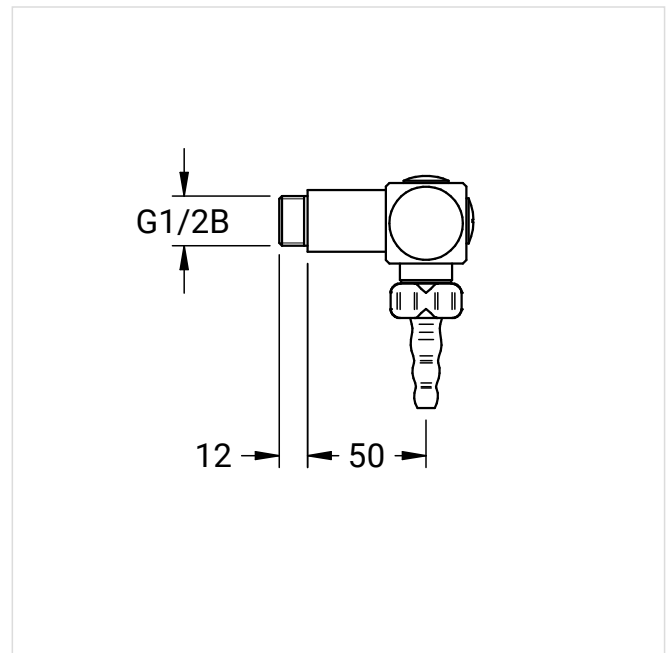
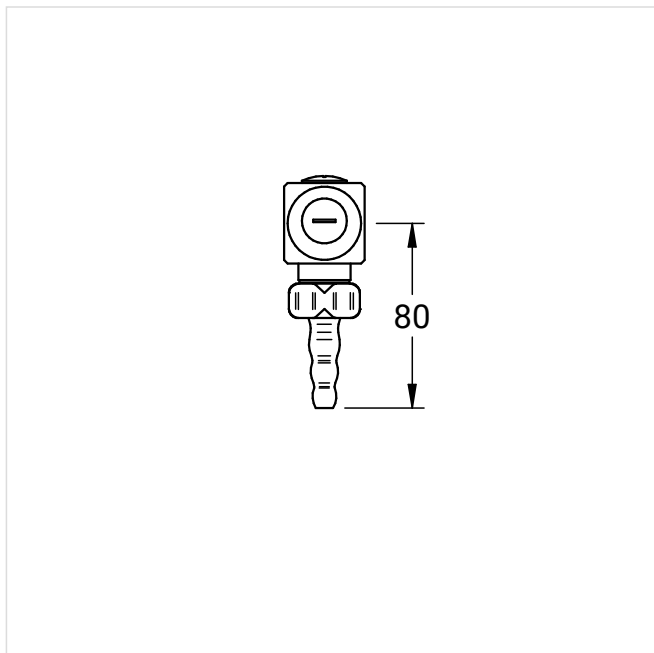
**71 0901 25 47**

Projection = 75 mm

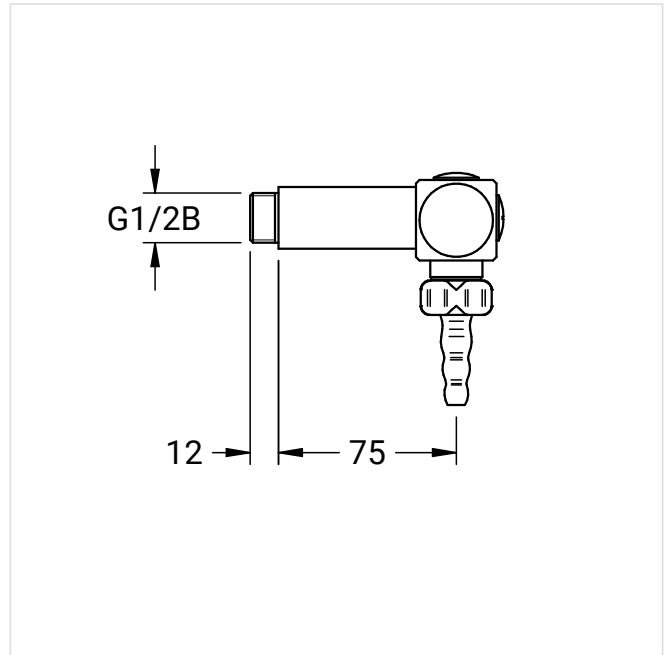
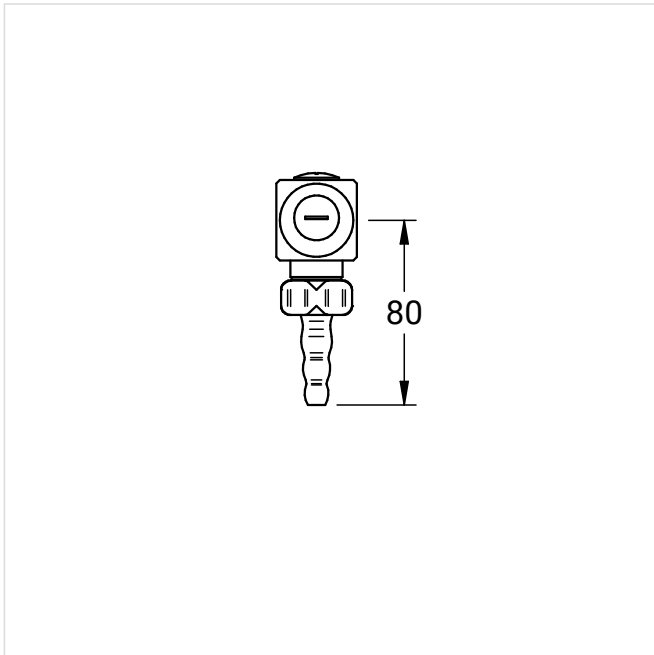
**71 0901 95 47**

**Dimensional Drawings**

**Art.-No.: 71 0901 25 47**



Art.-No.: 71 0901 95 47



Further product images



Art.-No.: 71 0901 95 47