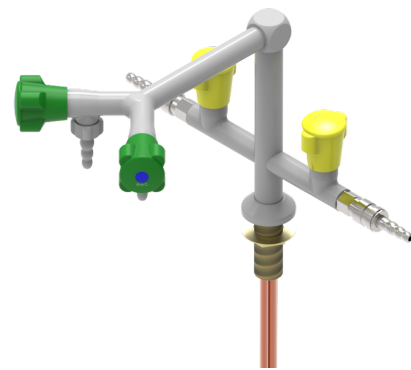


**NOVALAB laboratory bench mounted multimedia tap for water (WPC) and natural gas (G) or propane (C<sub>3</sub>H<sub>8</sub>) with locking coupling and plug-in nozzle, connection Ø8 mm (WPC), Ø10 (G/C<sub>3</sub>H<sub>8</sub>)**



**Attributes**

- All-metal valve body, EPS-coated, grey RAL 7035
- Four-wing ergonomic operating handles according to DIN 13792
- Two-part ergonomic operating handles according to DIN 13792 with anti-twist protection and a visually recognisable operating state.
- Nominal pressure PN 0,2 bar
- Nominal pressure PN 10 bar
- Connection/fastening thread G3/4" - 70 mm long
- Connection pipe Ø 8x1
- Connection pipe Ø 10x1
- Hose nozzle diameter 10/13 mm
- With mounting set

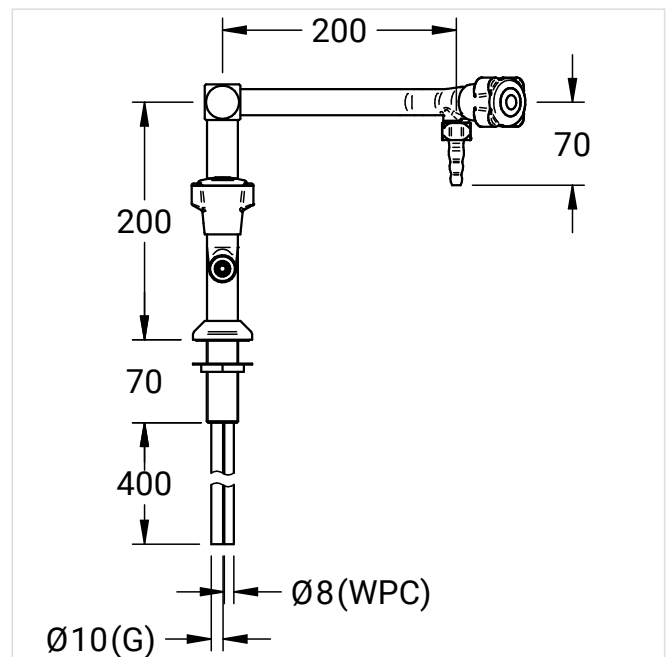
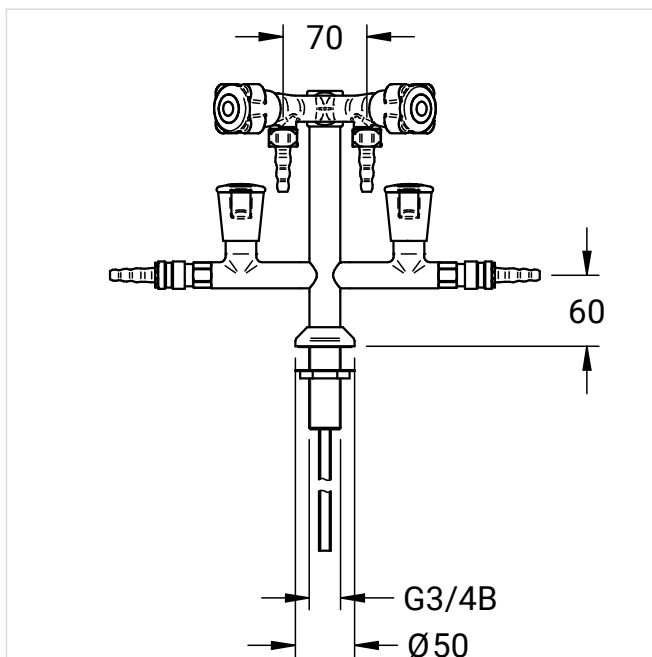
**Variants**

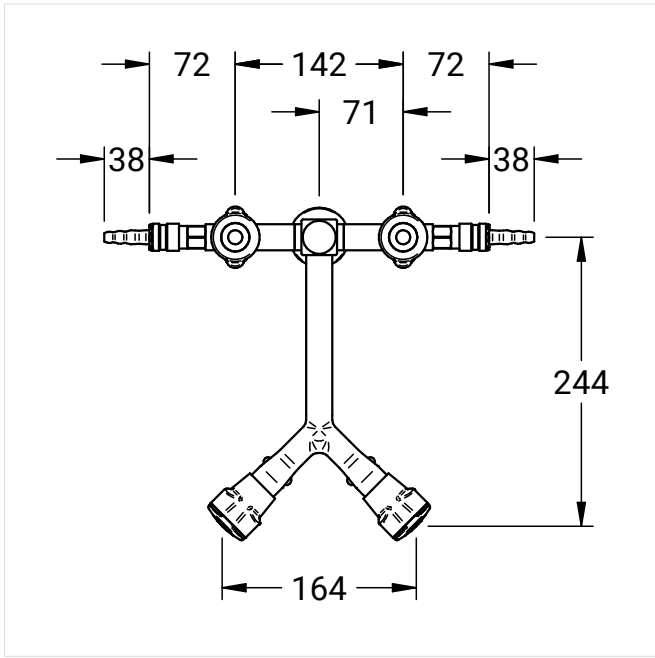
**Art.-No.:**

Headwork wit cone seal, for burning gas (G)	<b>74 4030 35 60</b>
Oberteile mit Kegeldichtung, für Propan (C <sub>3</sub> H <sub>8</sub> )	<b>74 4030 35 61</b>
Headwork with ceramic discs for natural gas (G)	<b>74 4030 35 60 02</b>
Headwork with ceramic discs, for propane (C <sub>3</sub> H <sub>8</sub> )	<b>74 4030 35 61 02</b>

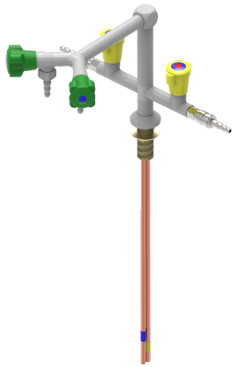
**Dimensional Drawings**

**Art.-No.: 74 4030 35 60**





Further product images



Art.-No.: 74 4030 35 61