

**NOVALAB laboratory wall mounted
infrared thermostatic mixer, battery
operated (WPC/WPH)**

mit hygienic flushing



Attributes

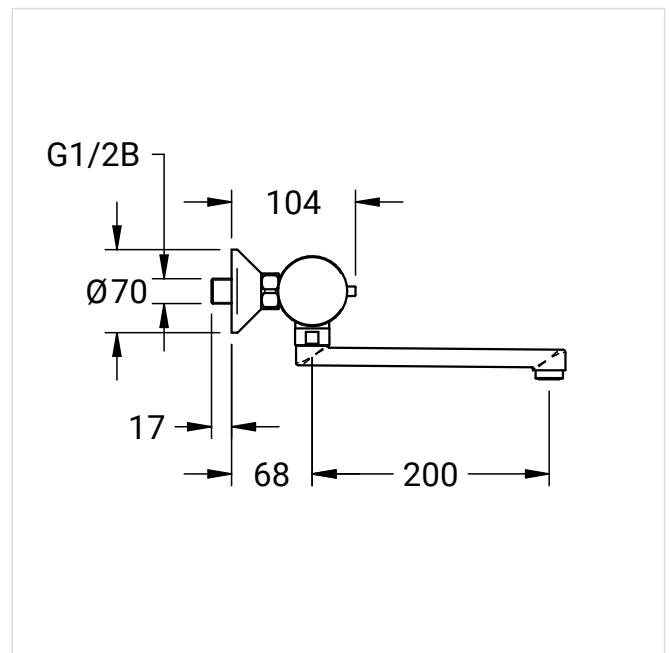
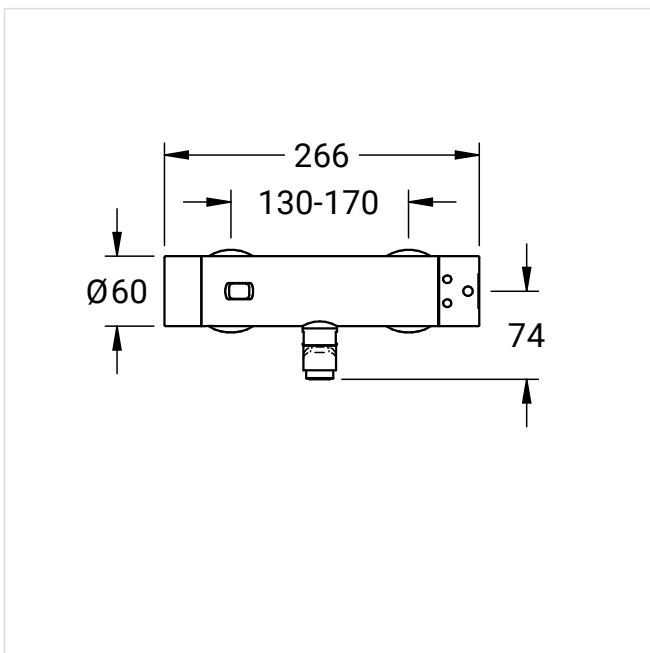
Variants

Art.-No.:

with aerator, connection thread: G1/2B	50 4001 00
with aerator, connection thread: G3/4"	50 4001 00 01
with hose nozzle, connection thread: G1/2"	50 4000 00
with hose nozzle, connection thread: G3/4"	50 4000 00 01

Dimensional Drawings

Art.-No.: 50 4001 00



Further product images



Art.-No.: 50 4000 00