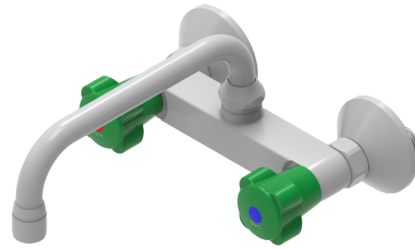


**NOVALAB laboratory wall mounted mixer,
swivel U-spout for water (WPC/WPH),
connection thread G1/2"**



Attributes

- All-metal valve body, EPS-coated, grey RAL 7035
- Four-wing ergonomic operating handles according to DIN 13792
- Nominal pressure PN 10 bar
- Connection/fastening thread G1/2" - 15 mm long

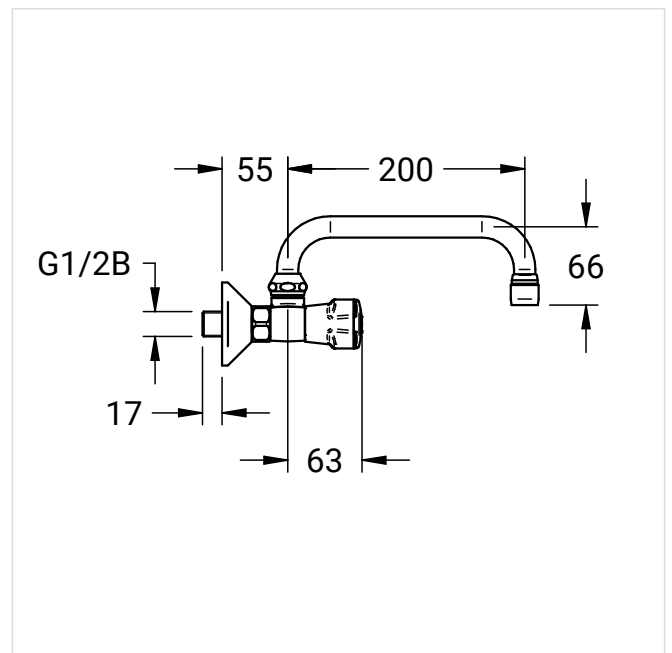
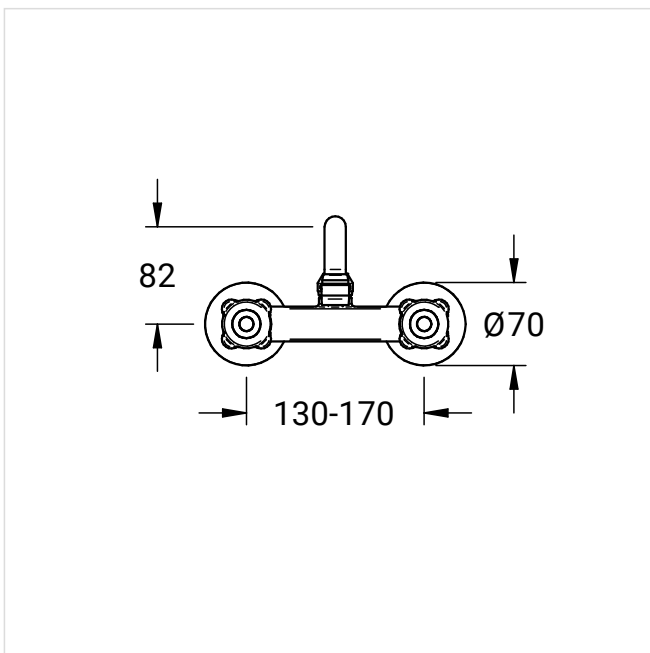
Variants

Art.-No.:

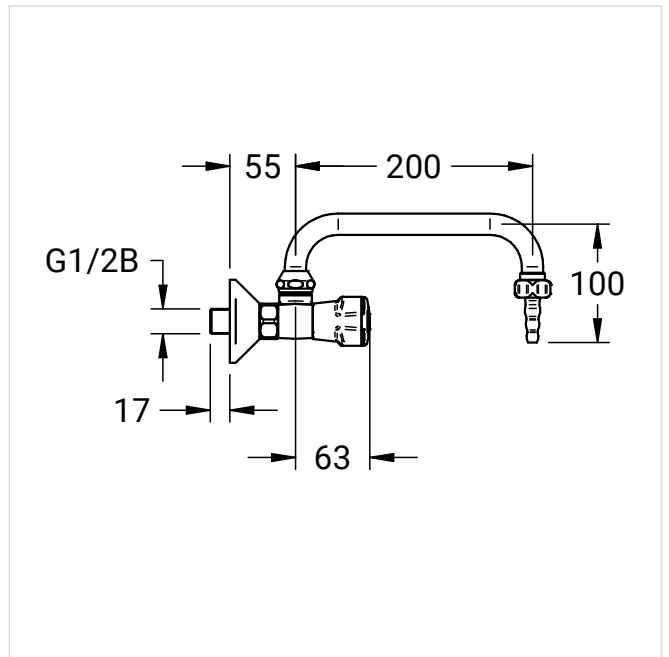
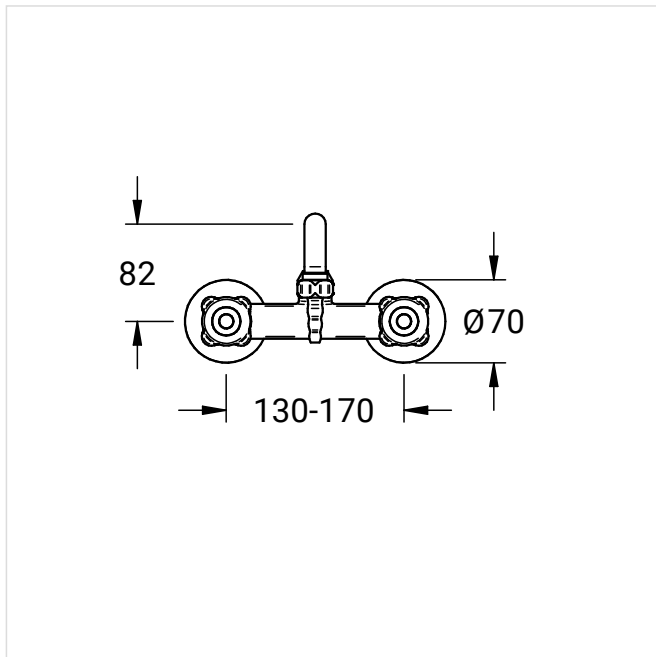
with aerator, Headworks with cone seal	70 0341 25 37
with aerator, Headworks with ceramic disc seals 180°	70 0341 25 37 02
with hose tail connector, Headworks with cone seal	70 0340 25 37
with hose tail connector, Headworks with ceramic disc seals 180°	70 0340 25 37 02

Dimensional Drawings

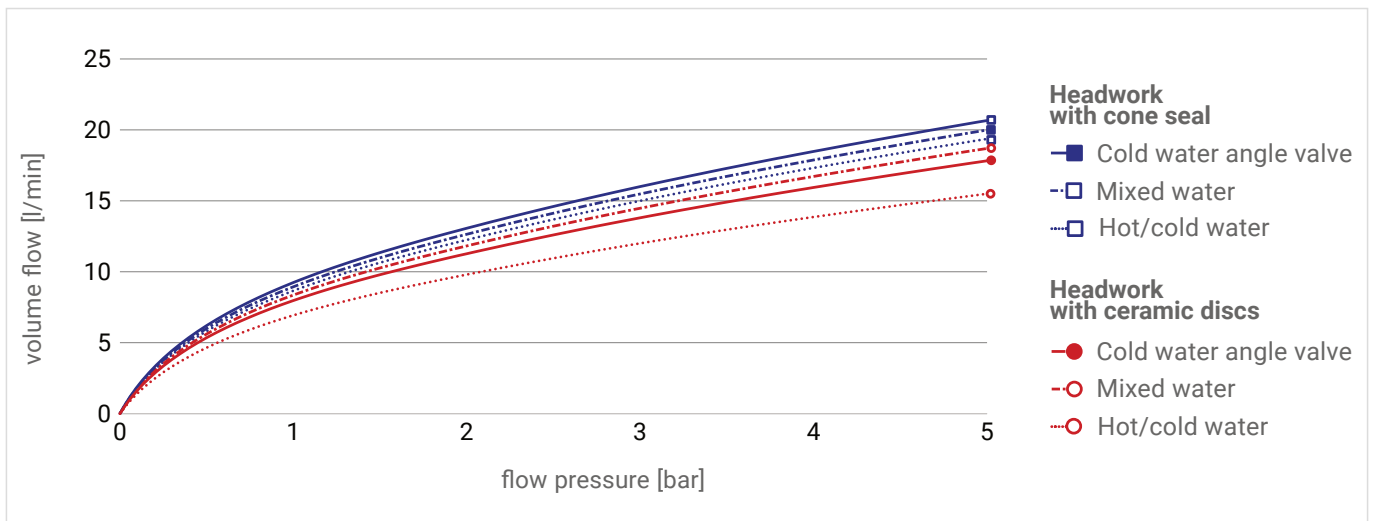
Art.-No.: 70 0341 25 37



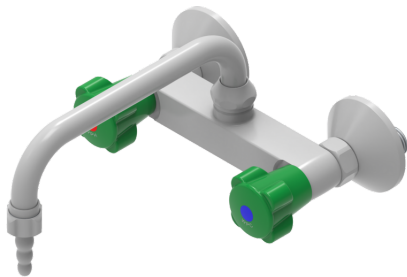
Art.-No.: 70 0340 25 37



Pressure Loss Curve



Further product images



Art.-No.: 70 0340 25 37