

NOVALAB laboratory mixer, swivel spout for water (WPC/WPH) with hygienic flushing, connection thread G3/8"



Attributes

- All-metal valve body, EPS-coated, grey RAL 7035
- Four-wing ergonomic operating handles according to DIN 13792
- Nominal pressure PN 10 bar
- With integrated hygienic flushing
- Integrated programmable control electronics (selectable flush times and intervals)
- Hygienic flushing device with integrated solenoid valve cartridge for cyclical flushing of the cold and hot water pipe over the spout

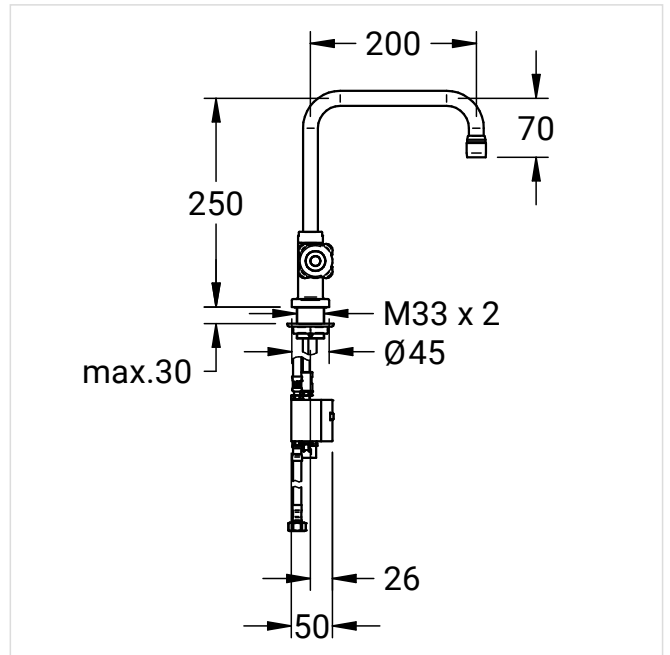
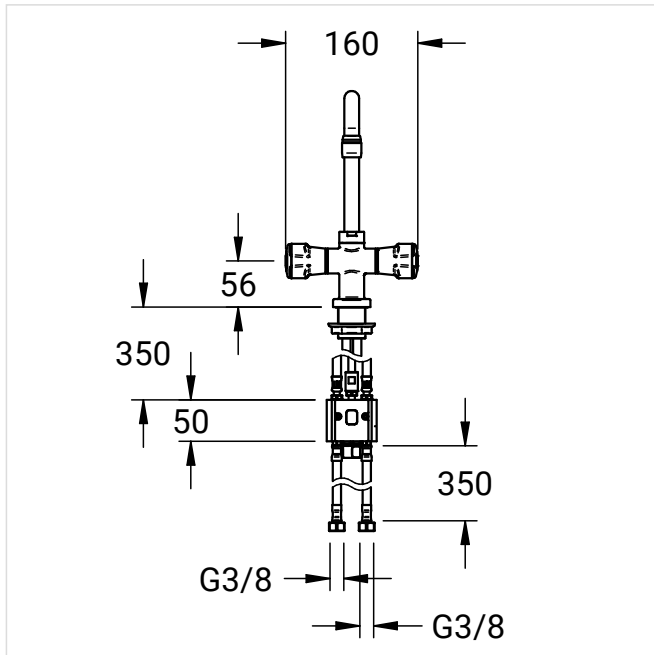
Variants

Art.-No.:

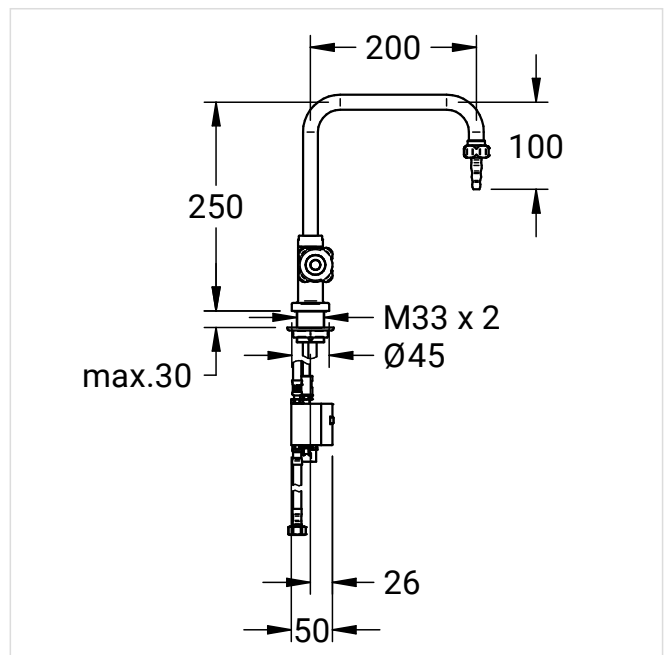
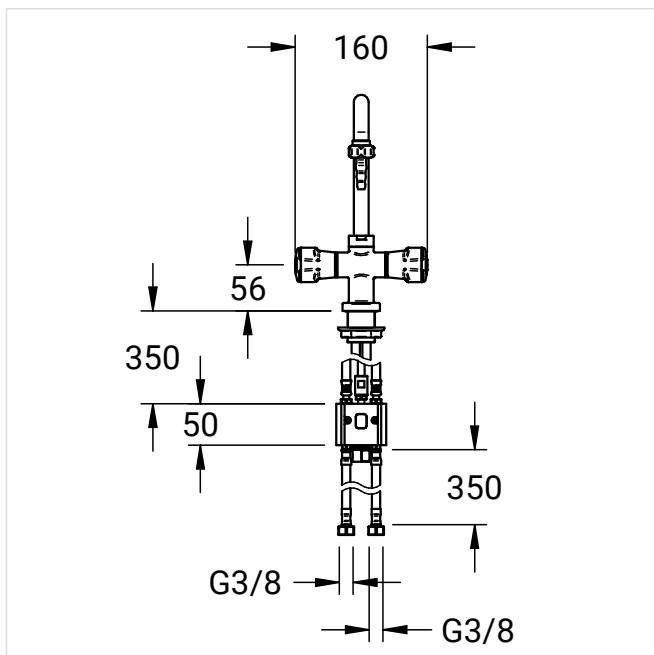
With aerator, Power supply: battery, Headworks with cone seal	70 0392 35 37
with aerator, Power supply: battery, Headworks with ceramic disc seals 180°	70 0392 35 37 02
with aerator, Power supply: plug-in power supply, Headworks with cone seal	70 0393 35 37
with aerator, Power supply: plug-in power supply, Headworks with ceramic disc seals 180°	70 0393 35 37 02
with hose tail connector, Power supply: battery, Headworks with cone seal	70 0390 35 37
with hose tail connector, Power supply: battery, Headworks with ceramic disc seals 180°	70 0390 35 37 02
with hose tail connector, Power supply: plug-in power supply, Headworks with cone seal	70 0391 35 37
with hose tail connector, Power supply: plug-in power supply, Headworks with ceramic disc seals 180°	70 0391 35 37 02

Dimensional Drawings

Art.-No.: 70 0392 35 37



Art.-No.: 70 0390 35 37



Further product images



Art.-No.: 70 0390 35 37