

**NOVALAB laboratory arm lever wall mounted mixer, swivel S-spout for water (WPC/WPH), connection thread G1/2"**



**Attributes**

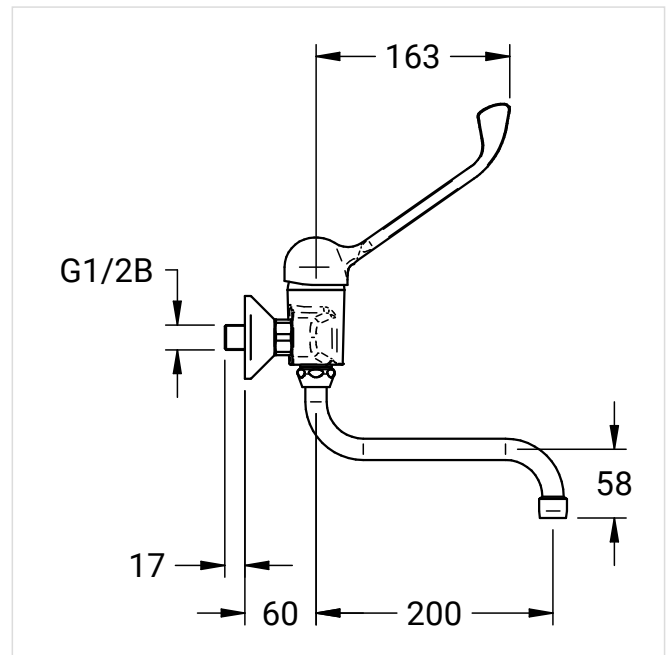
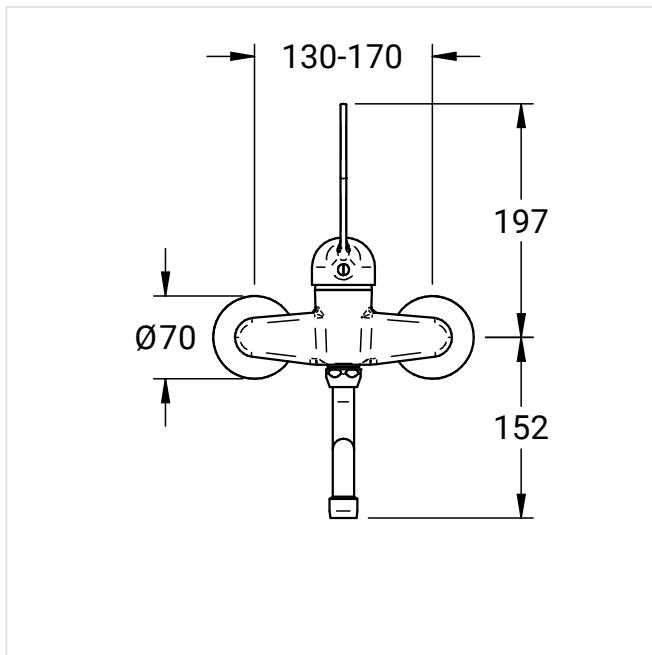
- All-metal valve body, EPS-coated, grey RAL 7035
- All-metal valve body, polished chrome finish
- Lever arm cap
- Nominal pressure PN 10 bar
- Connection/fastening thread G1/2" - 15 mm long

**Variants**

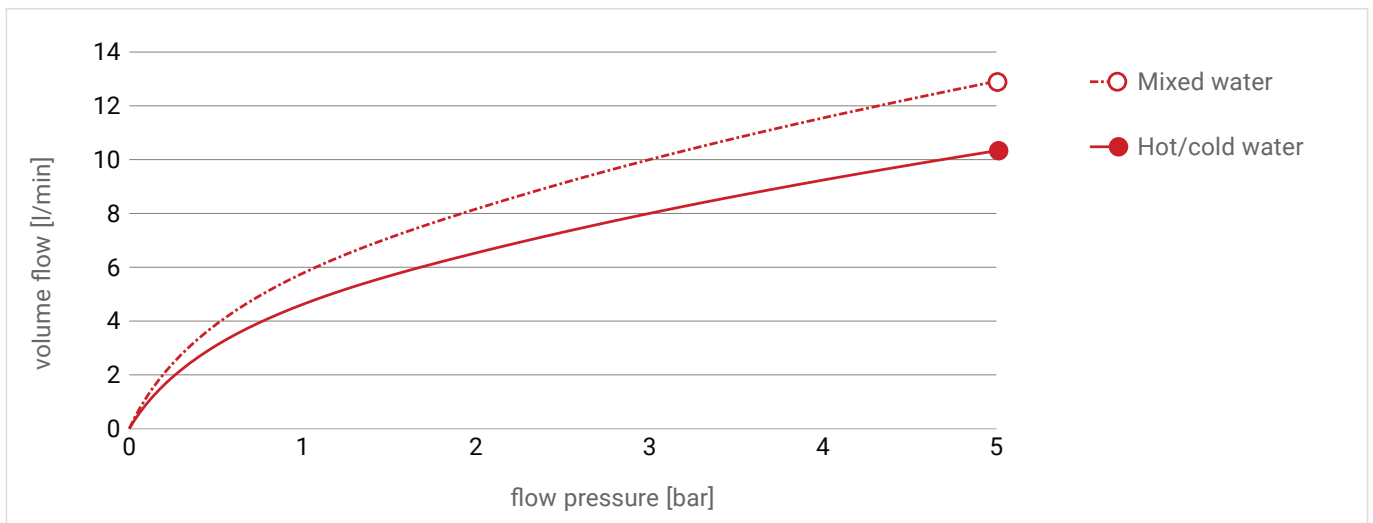
Variants	Art.-No.:
EPS-coated grey (RAL 7035)	<b>70 0366 25 37</b>
polished chrome-plated	<b>70 0366 23 37</b>

**Dimensional Drawings**

Art.-No.: 70 0366 25 37



## Pressure Loss Curve



## Further product images



Art.-No.: 70 0366 23 37