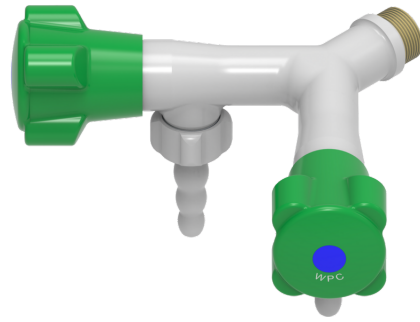


NOVALAB laboratory V-two taps fitting for water (WPC), connection thread G1/2"



Attributes

- All-metal valve body, EPS-coated, grey RAL 7035
- Nominal pressure PN 10 bar
- Connection/fastening thread G1/2" - 12 mm long
- Hose nozzle diameter 10/13 mm

Variants

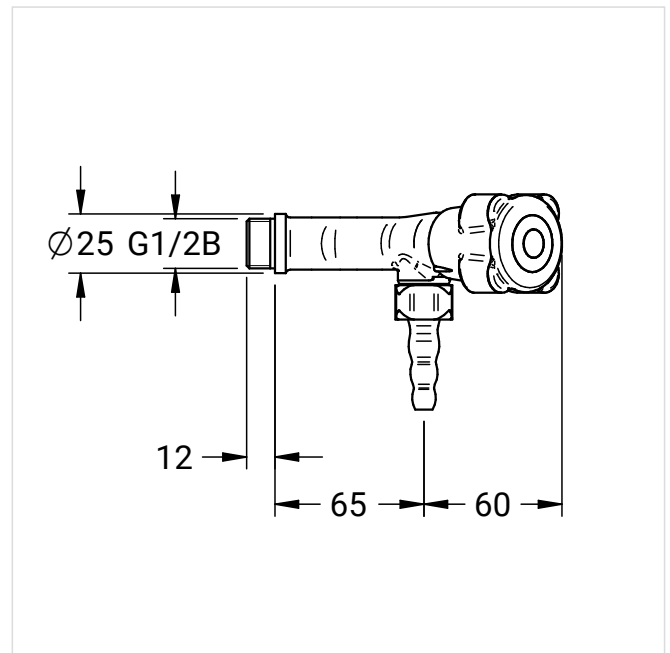
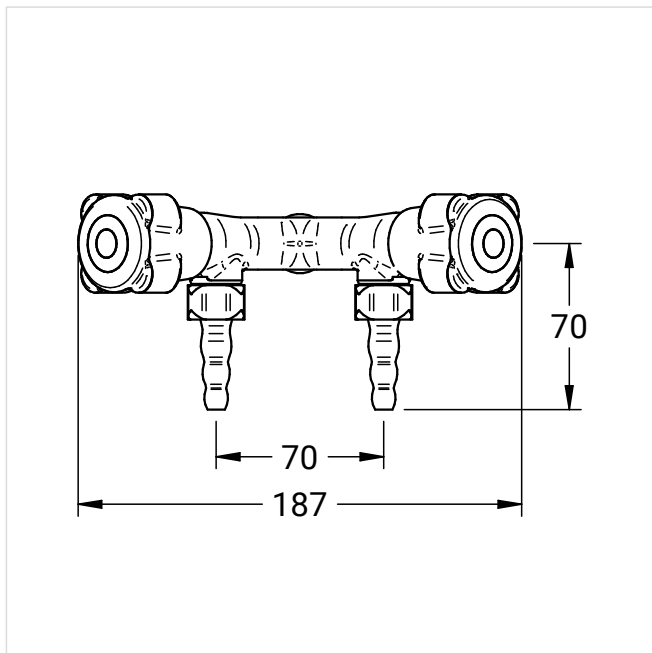
Art.-No.:

Headwork with cone seal **70 0143 25 36**

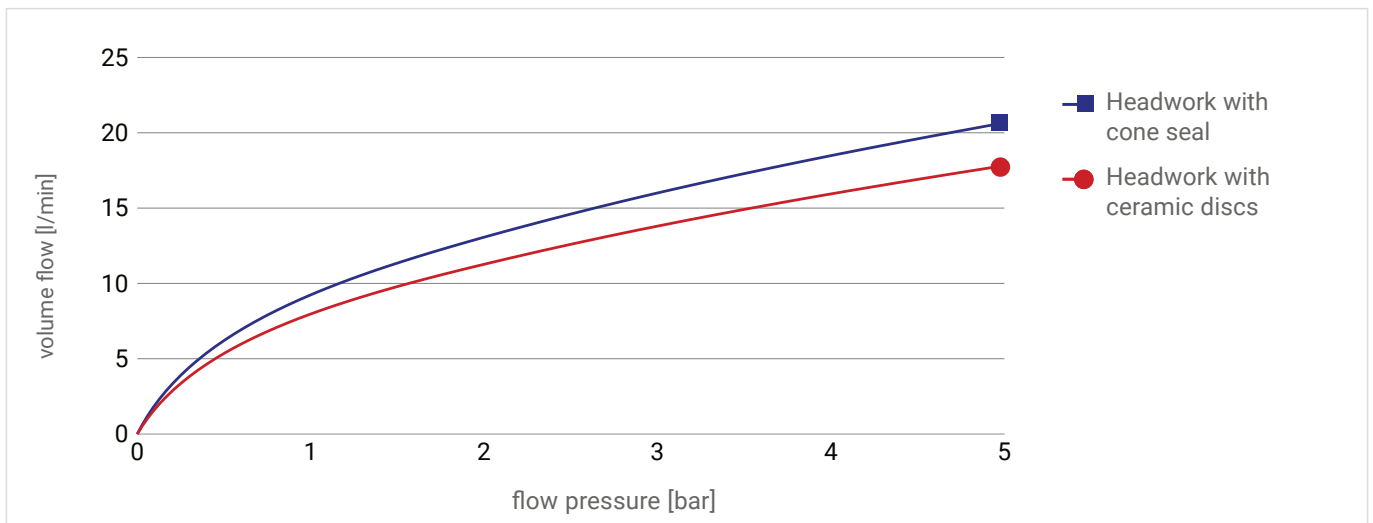
Headwork with ceramic discs 180° **70 0143 25 36 02**

Dimensional Drawings

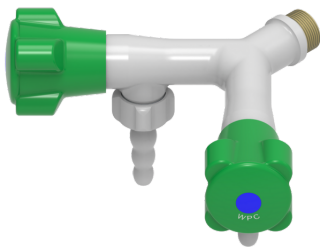
Art.-No.: 70 0143 25 36



Pressure Loss Curve



Further product images



Art.-No.: 70 0143 25 36 02