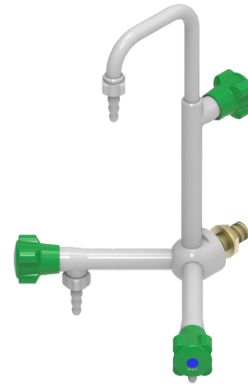


NOVALAB laboratory combination- three taps for water (WPC), connection thread G1/2"



Attributes

- All-metal valve body, EPS-coated, grey RAL 7035
- Four-wing ergonomic operating handles according to DIN 13792
- Nominal pressure PN 10 bar
- Hose nozzle diameter 10/13 mm

Variants

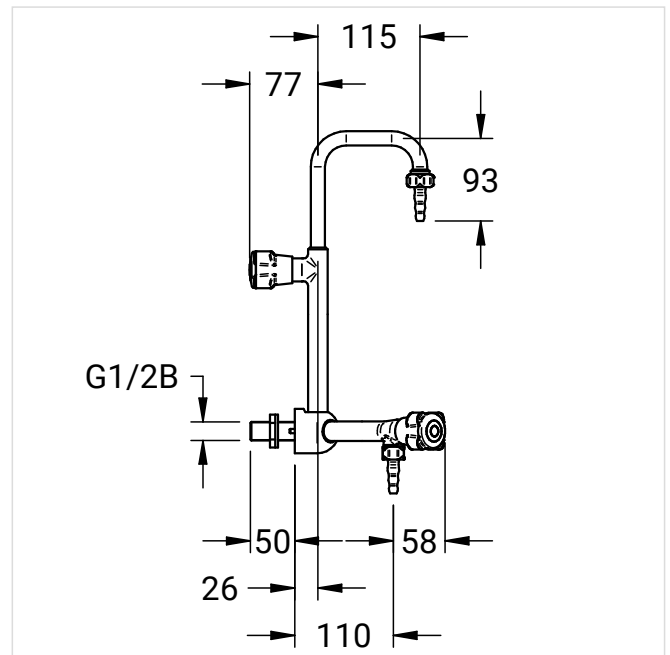
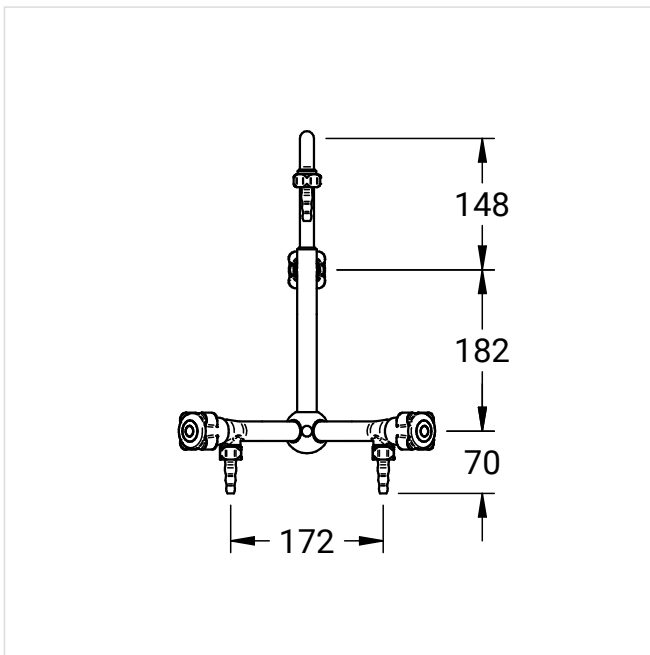
Art.-No.:

Headwork with cone seal **70 0139 25 36**

Headwork with ceramic discs 180° **70 0139 25 36 02**

Dimensional Drawings

Art.-No.: 70 0139 25 36



Pressure Loss Curve

