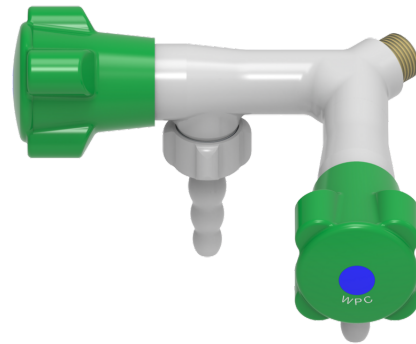


## NOVALAB laboratory V- two taps for water (WPC), connection thread G3/8"



### Attributes

- All-metal valve body, EPS-coated, grey RAL 7035
- Nominal pressure PN 10 bar
- Connection/fastening thread G3/8" - 11 mm long
- Hose nozzle diameter 10/13 mm

### Variants

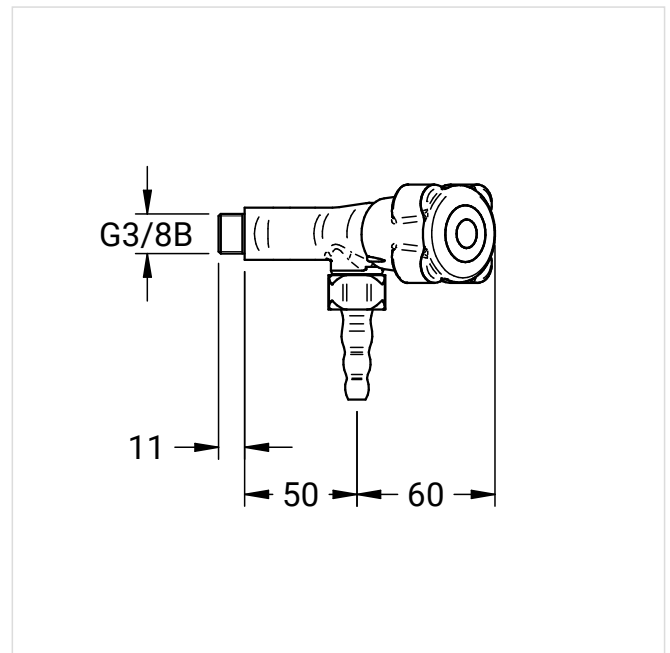
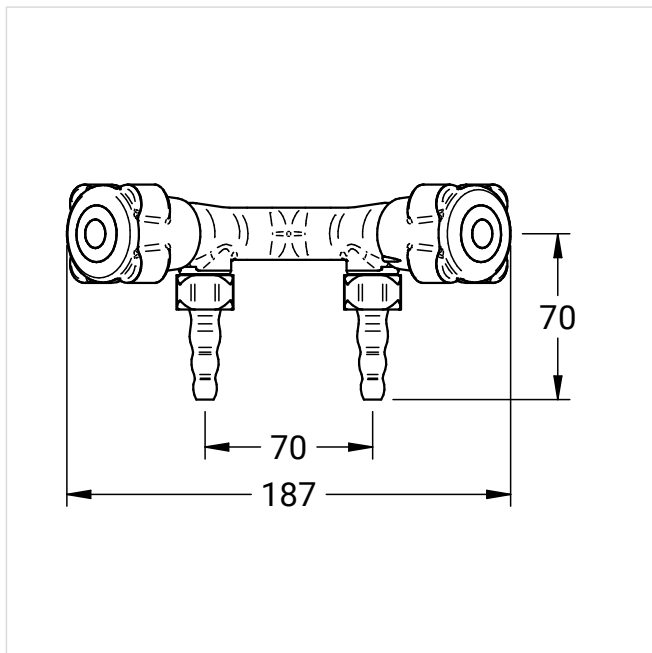
Art.-No.:

Headworks with cone seal **70 0142 15 36**

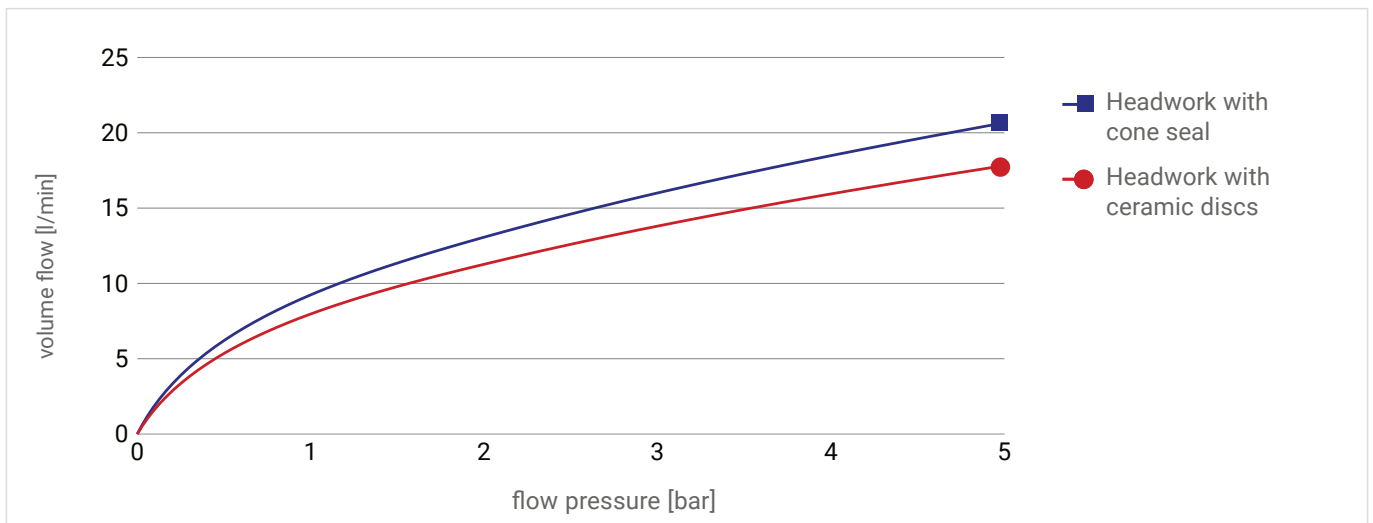
Headworks with ceramic discs 180° **70 0142 15 36 02**

### Dimensional Drawings

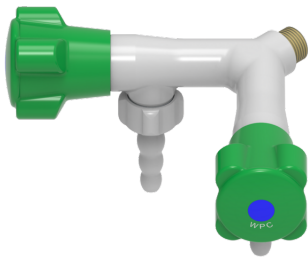
Art.-No.: 70 0142 15 36



## Pressure Loss Curve



## Further product images



Art.-No.: 70 0142 15 36 02