

Safety showers

Catalog

Safety in case of emergency

Quality MADE IN GERMANY

Publisher

NovaLab GmbH
Brunsbütteler Damm 440 13591
Berlin, Germany
Fon: +49 (0)30 36 403 36 11
Fax: +49 (0)30 36 403 36 28
www.novalab-gmbh.de

Validity instructions

All descriptions and technical data mentioned in this catalog have been carefully checked and are in accordance with the state of the art at the time of publication.

However, no binding nature can be derived from this information.

Production changes that serve the technical development are reserved.

Wall mounting body showers

Emergencyshowers with pull rod control	6-13
Emergencyshowercombinations	14

Free standing body showers

Free standing body showers Free standing body shower - eye shower combination	15
Emergency shower valve Emergency shower head	16-21
Accessories Spare parts	22-25

Eye showers

Eye showers	26-27
Accessories Spare parts	28-29

Hygiene

Accessories Spare parts	29
---------------------------	----

Reliable assistance in emergencies

In the event of an accident, the reliable, direct and prescribed water delivery of a safety emergency shower is indispensable. These basic requirements are of course the basis for the development of the NovaLab safety emergency showers. The known microbiological changes to products that come into contact with (drinking) water are taken into account by us.

Main product features:

Reliability and robustness

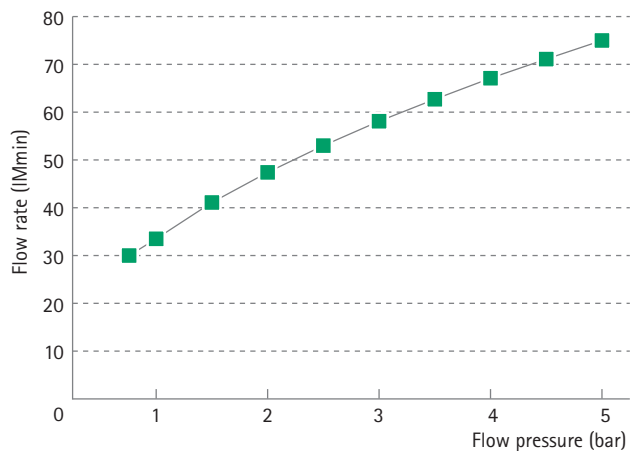
- Emergency shower head made of solid brass and provided with an extra coating for corrosion protection. Also reliable in the event of a fire.
- Valve technology proven for years.
- Water-carrying parts and activation construction made of corrosion-resistant stainless steel resp. brass. The surface is high-quality electrostatic powder-coated.
- All NovaLab safety showers are sealable to prevent risks of abuse.

Standards and regulations: Core requirements

NovaLab safety emergency showers meet the requirements of the following standards and regulations.

- DIN EN 15154 parts 1 and 2: Safety emergency showers - body resp. eye showers.
Among other things, the standard sets requirements for the flow, water distribution and closing behavior.
- TRGS 526: Technical rules for hazardous substances.
The technical rules for hazardous substances of the Association for Labor Protection and Occupational Medicine must be observed in laboratories. The flow rate for body showers is prescribed with a minimum of 60 l / min.
- BGI / GUV-I 850-0: Working safely in laboratories - Basic principles and access assistance
The regulations of the German accident insurance, under the auspices of the Chemical Industry Professional Association, must be regarded as nationally applicable rules in accordance with DIN EN 15154. A flow rate for body showers of 60 l / min is sufficient and the supply via a breaker or free outlet is permissible.

Flow chart emergency shower head with 5 shower jets (70-1308 25)



Compliant water distribution of the NovaLab emergency shower head

Microbiology and drinking water

In order to be able to meet the growing microbiological behavior requirements in drinking water installations, the development of the NovaLab safety emergency showers took place in compliance with the relevant standards and regulations (DIN, DVGW, VDE, etc.).

Concretely this means:

- No stagnation volumes on the discharge side due to completely independent emptying of the shower arm and the geometry of the emergency shower head developed for this.
- Extensive avoidance of plastic parts in contact with (drinking) water.

- Small pipe diameter for the connection pipe possible.

Because the NovaLab body showers reach the minimum flow rate of 30 l / min at approx. 1 bar flow pressure, the connection pipes can be dimensioned in a small way. In this way, NovaLab body showers guarantee a contribution to reducing the (stagnation) volume in the connecting pipes. For larger flows, body showers with approx. 60 l / min of water at 1.5 bar flow pressure are available.

- All NovaLab body showers can be fitted in such a way that they can be used "continuously", that is to say without a separate water line (on request).

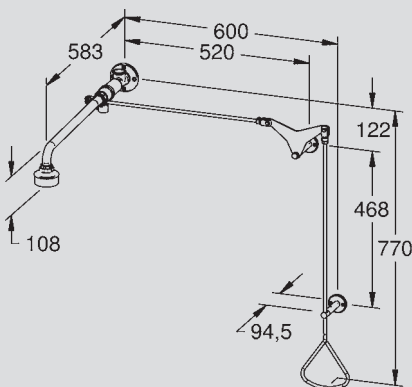
Other planning and operating instructions

- It must be possible to reach a body shower at any place in the laboratory within a maximum of 5 seconds.
- Adjustment of the water to temperature above room temperature is not permitted due to the risk of infection.

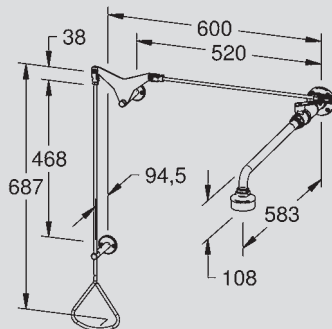
- Distance of switches and sockets: The size of the spray range must be at least the size of the water cone of the body shower for the wetted surface according to DIN EN 15154 part 1.
- Body and eye showers must be checked for functioning at least once a month.

The general sales and delivery conditions, with information about the individual products (flow diagrams, images, descriptions) as well as this catalog, can be found as a download on www.novalab-gmbh.de

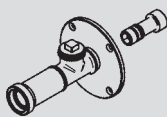
Right-handed operation



Left-handed operation



Water supply from behind the wall



NovaLab safety shower with ball valve and tie-rod actuation for surface mounting, water connection on all sides via middle of door.

Standard embodiment for a door width of 1m. Actuator on the right or left of the door. Guided by tie rod out with triangular handle and sealable. Redirector with wall flange, ball valve, wall bracket and safety-shower head.

Wall bracket with **safety-shower head with 5 or 7 jet orifices** and swirl discs, automatic draining by gradient. Replaceable nozzle distribution plate, nickel plated.

Fitting does not self-close. Brass EPS-coated green RAL 6032

Meets the requirements of DIN EN 15154-1 and BGI/GUV-I 850-0 "Safe working in laboratories".

Includes the "Safety shower" symbol on an adhesive label according to ISO 3864-1, user information and fastening material.

Connection: Female thread G3/4

Safety-shower head with 5 nozzle orifices.

Volumetric flow rate approx. 30 l/min at 1 bar flow pressure

Art.-nr.: 70-1720 35

Safety-shower head with 7 nozzle orifices.

Volumetric flow rate approx. 60 l/min at 1.5 bar flow pressure

Art.-nr.: 70-1725 35

as above, however **water feed from the rear out of the wall,**

Connection: Male thread G3/4B,

Safety shower with 5 nozzle orifices.

Volumetric flow rate approx. 30 l/min at 1 bar flow pressure

Art.-nr.: 70-1780 35

as above, however **water feed from the rear out of the wall,**

Connection: Male thread G3/4B,

Safety shower with 7 nozzle orifices.

Volumetric flow rate approx. 60 l/min at 1.5 bar flow pressure

Art.-nr.: 70-1785 35

Upon request:

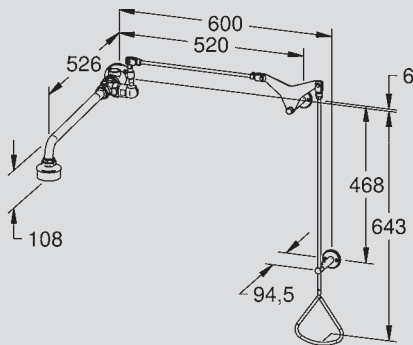
- Different lengths / extensions.
- Embodiment featuring wall bracket with eyelet for additional ceiling fixture.
- Embodiment with ball handle instead of the triangular handle.
- Other colours or colour combinations.

Accessories

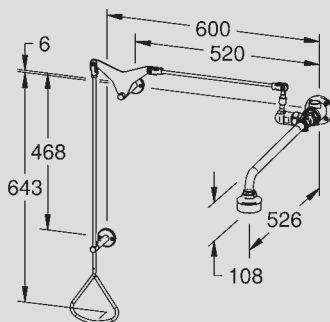
Connecting-rod extension for large door widths, e.g. 300 mm long.

Art.-nr.: 87-10080194

Right-handed operation



Left-handed operation



NovoLab safety shower with ball valve and tie-rod actuation for surface mounting, water connection right/left of the door,

Standard door width 1m. Actuator on the right or left of the door.

Guided by tie rod, with triangular handle and sealable.

Wall flange with ball valve next to the door. Wall flange, wall bracket and safety-shower head above middle of door.

Wall arm with **safety-shower head with 5 or 7 jet orifices** and swirl discs, automatic draining by gradient. Replaceable nozzle distribution plate, nickel plated. Fitting does not self-close.

Brass EPS-coated green RAL 6032

Meets the requirements of DIN EN 15154-1 and BGI/GUV-I 850-0 "Safe working in laboratories".

Includes the "Safety shower" symbol on an adhesive label according to ISO 3864-1,

user information and fastening material.

Connection: Female thread G3/4

Safety-shower head with 5 nozzle orifices, volumetric flow 30 l/min at 1 bar flow pressure

Art.-nr.: 60-182035

Safety-shower head with 7 nozzle orifices, volumetric flow 60 l/min at 1.5 bar flow pressure

Art.-nr.: 60-182535

Upon request:

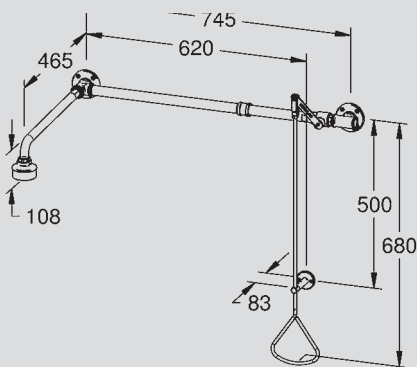
- Different lengths / extensions.
- Embodiment featuring wall bracket with eyelet for additional ceiling fixture.
- Embodiment with ball handle instead of the triangular handle.
- Other colours or colour combinations.

Accessories

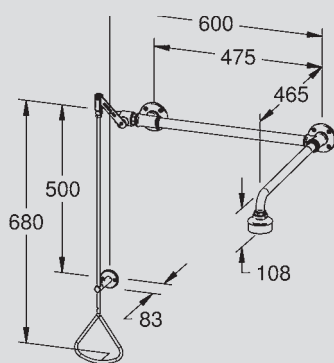
Connecting-rod extension for large door widths, e.g. 300 mm long.

Art.-nr.: 87-10080194

Right-handed operation



Left-handed operation



NovaLab safety shower with ball valve and tie-rod actuation for surface mounting, water connection right/left of the door,

Standard door width 1m. Actuator on the right or left of the door.

Guided by tie rod, with triangular handle and sealable. Wall flange with ball valve next to the door. Wall bracket and safety-shower head above middle of door. Wall arm with **safety-shower head with 5 or 7 jet orifices** and swirl discs, automatic draining by gradient. Replaceable nozzle distribution plate, nickel plated. Fitting does not self-close.

Brass EPS-coated green RAL 6032

Meets the requirements of DIN EN 15154-1 and BGI/GUV-I 850-0 "Safe working in laboratories".

Includes the "Safety shower" symbol on an adhesive label according to ISO 3864-1, user information and fastening material.

Connection: Female thread G3/4

Safety-shower head with 5 nozzle orifices, volumetric flow 30 l/min at 1 bar flow pressure

Art.-nr.: 70-1730 35

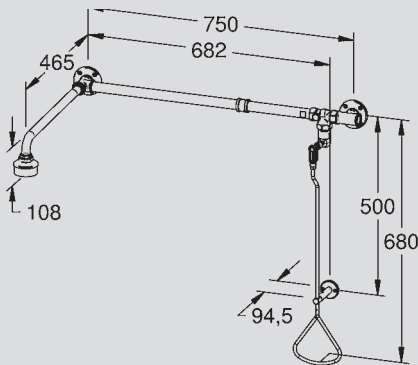
Safety-shower head with 7 nozzle orifices, volumetric flow 60 l/min at 1.5 bar flow pressure

Art.-nr.: 70-1735 35

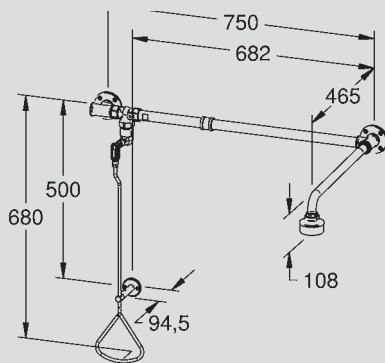
Upon request:

- Different lengths / extensions.
- Embodiment featuring wall bracket with eyelet for additional ceiling fixture.
- Embodiment with ball handle instead of the triangular handle.
- Other colours or colour combinations.

Right-handed operation



Left-handed operation



NovoLab safety shower with toggle valve and tie-rod actuation for surface mounting, water connection right/left of the door,

Standard door width 1m. Actuator on the right or left of the door.

Guided by tie rod, with triangular handle and sealable. Wall flange with toggle valve next to the door. Wall flange, wall bracket and safety-shower head abovemiddle of door. Wall arm with **safety-shower head with 5 or 7 jet orifices** and swirl discs, automatic draining by gradient. Replaceable nozzle distribution plate, nickel plated.

Axially sealing valve. Headwork can be replaced without removing the valve body. Fitting does not self-close.

Brass EPS-coated green RAL 6032

Meets the requirements of DIN EN 15154-1 and

BGI/GUV-I 850-0 "Safe working in laboratories". Includes the "Safety shower" symbol on an adhesive label according to ISO 3864-1, user information and fastening material.

Connection: Female thread G3/4

Safety-shower head with 5 nozzle orifices, volumetric flow 30 l/min at 1 bar flow pressure

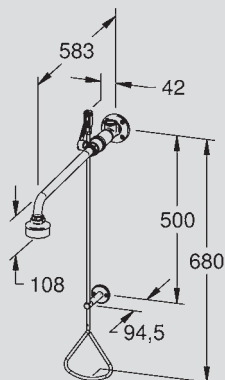
Art.-nr.: 60-1830 35

Safety-shower head with 7 nozzle orifices, volumetric flow 60 l/min at 1.5 bar flow pressure

Art.-nr.: 60-1835 35

Upon request:

- Different lengths / extensions.
- Embodiment featuring wall bracket with eyelet for additional ceiling fixture.
- Embodiment with ball handle instead of the triangular handle.
- Other colours or colour combinations.



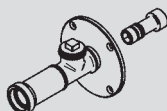
NovaLab safety shower with ball valve and tie-rod actuation for surface mounting, water connection on all sides.

Guided by tie rod, with triangular handle and sealable. Wall flange with ball valve, wall bracket and safety-shower head. Wall arm with **safety-shower head with 5 or 7 jet orifices** and swirl discs, automatic draining by gradient. Replaceable nozzle distribution plate, nickel plated. Fitting does not self-close. Brass EPS-coated green RAL 6032. Meets the requirements of DIN EN 15154-1 and BGI/GUV-I 850-0 "Safe working in laboratories". Includes the "Safety shower" symbol on an adhesive label according to ISO 3864-1, user information and fastening material. Connection: Female thread G3/4

Safety-shower head with 5 nozzle orifices, volumetric flow 30 l/min at 1 bar flow pressure

Art.-nr.: 70-1740 35

Water supply from behind the wall



Safety-shower head with 7 nozzle orifices, volumetric flow 60 l/min at 1.5 bar flow pressure

Art.-nr.: 70-1745 35

as above, however **water feed from the rear out of the wall,**

Connection: Male thread G3/4B,

Safety shower with 5 nozzle orifices. Volumetric flow rate approx. 30 l/min at 1 bar flow pressure

Art.-nr.: 70-1770 35

as above, however **water feed from the rear out of the wall,**

Connection: Male thread G3/4B,

Safety shower with 7 nozzle orifices.

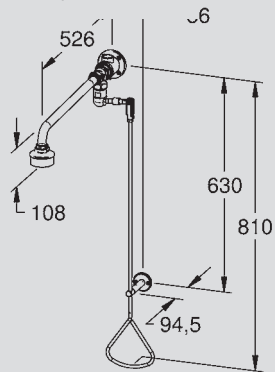
Volumetric flow rate approx. 60 l/min at 1.5 bar flow pressure

Art.-nr.: 70-1775 35

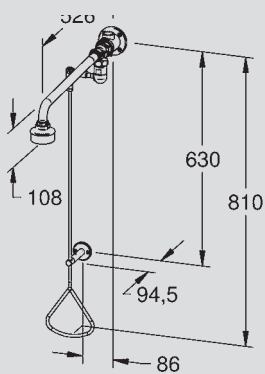
Upon request:

- Different lengths/extensions.
- Embodiment featuring wall bracket with eyelet for additional ceiling fixture.
- Embodiment with ball handle instead of the triangular handle.
- Embodiment with angled tie rod.
- Other colours or colour combinations.

Right-handed operation



Left-handed operation



NovoLab safety shower with toggle valve and tie-rod actuation for surface mounting, water connection on all sides.

Guided by tie rod, with triangular handle and sealable. Actuated optionally right or left. Wall flange with toggle valve, wall bracket and safety-shower head. Wall arm with **safety-shower head with 5 or 7 jet orifices** and swirl discs, automatic draining by gradient.

Replaceable nozzle distribution plate, nickel plated.

Axially sealing valve. Headwork can be replaced without removing the valve body. Fitting does not self-close. Brass EPS-coated green RAL 6032

Meets the requirements of DIN EN 15154-1 and BGI/GUV-I 850-0 "Safe working in laboratories".

Includes the "Safety shower" symbol on an adhesive label according to ISO 3864-1,

user information and fastening material.

Connection: Female thread G3/4

Safety-shower head with 5 nozzle orifices, volumetric flow 30 l/min at 1 bar flow pressure

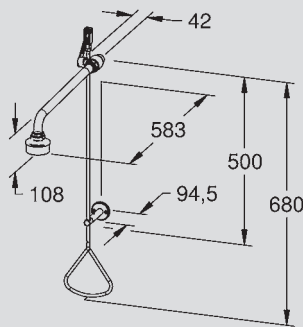
Art.-nr.: 60-1840 35

Safety-shower head with 7 nozzle orifices, volumetric flow 60 l/min at 1.5 bar flow pressure

Art.-nr.: 60-1845 35

Upon request:

- Different lengths/extensions.
- Embodiment featuring wall bracket with eyelet for additional ceiling fixture.
- Embodiment with ball handle instead of the triangular handle.
- Embodiment with angled tie rod.
- Other colours or colour combinations.



NovaLab safety shower with ball valve and tie-rod actuation, for installation in on-site branch stub, guided by tie rod, with triangular handle and sealable.

Ball valve, wall bracket and safety-shower head.

Wall arm with **safety-shower head with 5 or 7 jet orifices** and swirl discs, automatic draining by gradient. Replaceable nozzle distribution plate, nickel plated.

Fitting does not self-close. Brass EPS-coated green RAL 6032

Meets the requirements of DIN EN 15154-1 and

BGI/GUV-I 850-0 "Safe working in laboratories".

Includes the "Safety shower" symbol on an adhesive label according to ISO 3864-1, user information and fastening material.

Connection: Male thread G3/4B

Safety-shower head with 5 nozzle orifices,
volumetric flow 30 l/min at 1 bar flow pressure

Art.-nr.: 70-1750 35

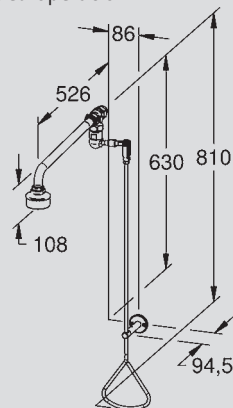
Safety-shower head with 7 nozzle orifices,
volumetric flow 60 l/min at 1.5 bar flow pressure

Art.-nr.: 70-1755 35

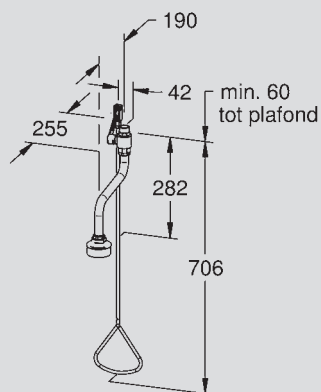
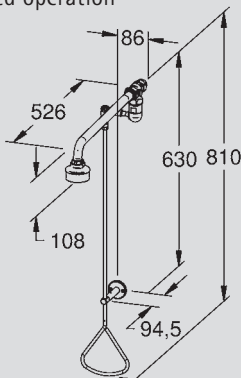
Upon request:

- Different lengths/extensions.
- Embodiment featuring wall bracket with eyelet for additional ceiling fixture.
- Embodiment with ball handle instead of the triangular handle.
- Embodiment with angled tie rod.
- Other colours or colour combinations.

Right-handed operation



Left-handed operation



NovaLab safety shower with toggle valve and tie-rod actuation, for installation in on-site branch stub, guided by tie rod, with triangular handle and sealable. Actuated optionally right or left.

Toggle valve, wall bracket and safety-shower head.

Wall arm with **safety-shower head with 5 or 7 jet orifices** and swirl discs, automatic draining by gradient. Replaceable nozzle distribution plate, nickel plated.

Axially sealing valve. Headwork can be replaced without removing the valve body. Fitting does not self-close. Brass EPS-coated green RAL 6032

Meets the requirements of DIN EN 15154-1 and

BGI/GUV-I 850-0 "Safe working in laboratories". Includes the "Safety shower" symbol on an adhesive label according to ISO 3864-1, user information and fastening material.

Connection: Male thread G3/4B

Safety-shower head with 5 nozzle orifices, volumetric flow 30 l/min at 1 bar flow pressure

Art.-nr.: 60-1850 35

Safety-shower head with 7 nozzle orifices, volumetric flow 60 l/min at 1.5 bar flow pressure

Art.-nr.: 60-1855 35

Upon request:

- Different lengths/extensions.
- Embodiment featuring wall bracket with eyelet for additional ceiling fixture.
- Embodiment with ball handle instead of the triangular handle.
- Embodiment with angled tie rod.
- Other colours or colour combinations.

NovaLab safety shower with ball valve and tie-rod actuation, for ceiling installation in on-site branch stub,

guided by tie rod, with triangular handle and sealable. Ball valve, vertically offset shower arm and safety-shower head.

Shower arm with **safety-shower head with 5 or 7 jet orifices** and swirl discs, automatic draining. Replaceable nozzle distribution plate, nickel plated.

Fitting does not self-close. Brass EPS-coated green RAL 6032

Meets the requirements of DIN EN 15154-1 and

BGI/GUV-I 850-0 "Safe working in laboratories".

Includes the "Safety shower" symbol on an adhesive label according to ISO 3864-1, user information and fastening material.

Connection: Male thread G3/4B

Safety-shower head with 5 nozzle orifices, volumetric flow 30 l/min at 1 bar flow pressure

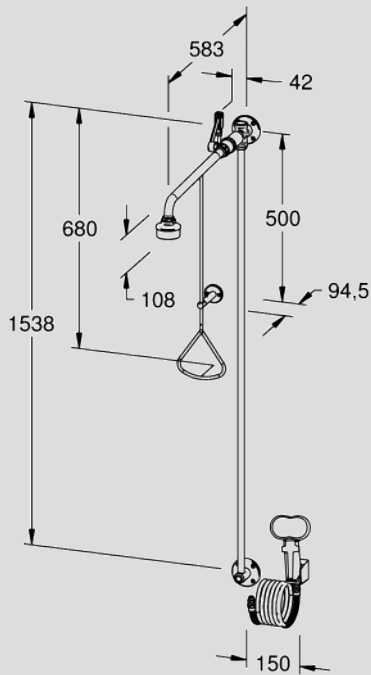
Art.-nr.: 70-1760 35

Safety-shower head with 7 nozzle orifices, volumetric flow 60 l/min at 1.5 bar flow pressure

Art.-nr.: 70-1765 35

Op aanvraag:

- Different lengths.
- Design with triangular handle instead of the ball handle.
- Other colours or colour combinations.



NovaLab combination safety shower comprising body shower with tie-rod actuation and eye-wash and face-wash fountain, for wall mounting, water connection on all sides.

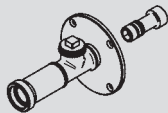
Guided by tie rod, with triangular handle and sealable. Wall flange with ball valve, wall bracket, safety-shower head, eye-wash fountain and face-wash fountain with wall bracket. Wall arm with **safety-shower head with 5 or 7 jet orifices** and swirl discs, automatic draining by gradient. Replaceable nozzle distribution plate, nickel plated. Fitting does not self-close. Vertical connection pipe with wall flange to connect the eye-wash and face-wash fountain. Brass EPS-coated green RAL 6032 Meets the requirements of DIN EN 15154-1 -2 and BGI/GUV-I 850-0 "Safe working in laboratories". Includes the "Safety shower" and "Eye-wash fountain" symbols on an adhesive label according to ISO 3864-1, user information and fastening material.

Connection: Female thread G3/4

Safety-shower head with 5 nozzle orifices,
volumetric flow 30 l/min at 1 bar flow pressure
Art.-nr.: 70-1790 35

Safety-shower head with 7 nozzle orifices,
volumetric flow 60 l/min at 1.5 bar flow pressure
Art.-nr.: 70-1795 35

Water supply from behind the wall

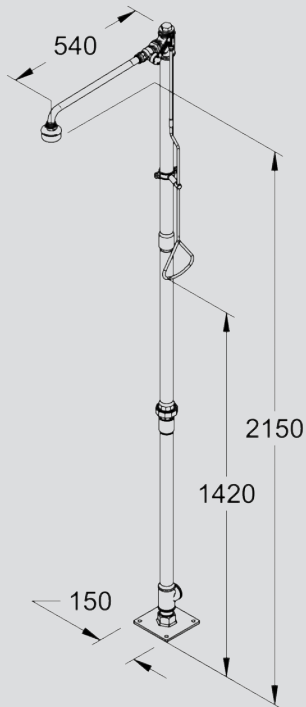


as above, **however water feed from the rear out of the wall,**
Connection: Male thread G3/4B,
Safety shower with 5 nozzle orifices.
Volumetric flow rate approx. 30 l/min at 1 bar flow pressure
Art.-nr.: 70-1710 35

as above, **however water feed from the rear out of the wall,**
Connection: Male thread G3/4B,
Safety shower with 7 nozzle orifices.
Volumetric flow rate approx. 60 l/min at 1.5 bar flow pressure
Art.-nr.: 70-1715 35

Upon request:

- Different lengths/extensions.
- Embodiment with ball handle instead of the triangular handle.



NovaLab free-standing emergency body shower with pull rod control

with ball valve, guided tie rod with triangular handle.

Floor flange 150 x 150 mm with 4 fixing holes, **safety-shower head with 7 jet orifices** and swirl discs, automatic draining by gradient.

Inlet from top or bottom. A stopper is supplied for the unused inlet.

Standpipe, base plate and ball valve in stainless steel AISI 316.

All other parts in brass (in accordance with the UBA list) are EPS coated, green RAL6032, chemical resistant.

Meets the requirements of DIN EN 15154-1 and

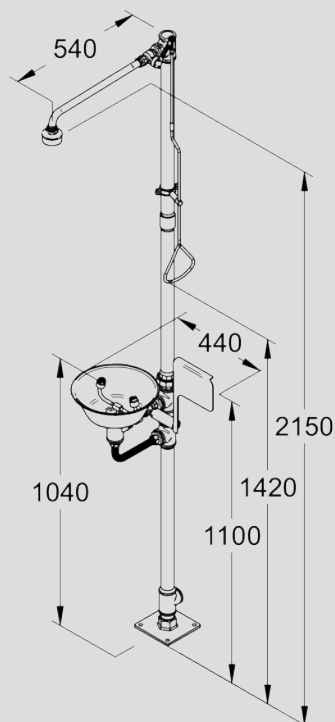
BGI/GUV-I 850-0 "Safe working in laboratories".

Includes the "Safety shower" symbol according to ISO 3864-1 for mounting on the shower arm, user information and fastening material.

volumetric flow 60 l/min at 1.5 bar flow pressure.

Connections: Female thread G5/4

Art.-nr.: **60-2002 00**



NovaLab free-standing emergency body shower and eye shower combination

Body shower with ball valve, guided tie rod with triangular handle.

Floor flange 150 x 150 mm with 4 fixing holes, **safety-shower head with 7 jet orifices** and swirl discs, automatic draining by gradient.

Eye shower bowl \varnothing 280 mm with fixed 2 eye-washer jets, ball valve and Inlet from top or bottom. A stopper is supplied for the unused inlet.

Standpipe, base plate, bowl and ball valves in stainless steel AISI 316.

All other parts in brass (in accordance with the UBA list) are EPS coated, green RAL6032, chemical resistant.

Meets the requirements of DIN EN 15154-1 and

BGI/GUV-I 850-0 "Safe working in laboratories".

Includes the "Safety shower" symbol according to ISO 3864-1 for mounting on the shower arm, "Eye shower" safety sign for mounting on vertical shower pipe according to ISO 3864-1 user information and fastening material.

Flow rates:

Body shower: 60 l/min at 1.5 bar flow pressure.

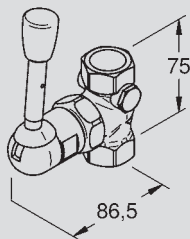
Eye shower: 2 x 6 l/min at 1 bar flow pressure

Connections: Female thread G5/4

Art.-nr.: **60-2002 00**

Upon request:

Other embodiments or colours



NovaLab tilt-lever safety-shower valve for surface mounting, actuator lever with tapered handle and sealable, axially sealing, not self-closing. Headwork can be replaced without removing the valve body. Option to connect a drain valve G1/4. Brass EPS-coated green RAL 6032 Meets the requirements of DIN EN 15154-1 and BGI/GUV-I 850-0 "Safe working in laboratories". Includes the "Safety shower" symbol on an adhesive label in compliance with ISO 3864-1 and user instructions. Volume flow approx. 60 l/min at 1 bar pressure.

Connection: Female thread G3/4

Art.-nr.: 70-1704 35

Accessories:

NovaLab drain valve

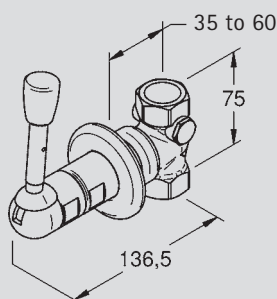
Art.-nr.: 87-34000056

NovaLab cover cap for flushing the supply pipes

Art.-nr.: 87-0000006

Upon request:

- Other colours or colour combinations.



NovaLab tilt-lever safety-shower valve for concealed mounting, actuator lever with tapered handle and sealable, axially sealing, not self-closing. Headwork can be replaced without removing the valve body. Option to connect a drain valve G1/4. Brass EPS-coated green RAL 6032 Meets the requirements of DIN EN 15154-1 and BGI/GUV-I 850-0 "Safe working in laboratories". Includes push-on rosette as well as the "Safety shower" symbol on an adhesive label in compliance with ISO 3864-1 and user instructions. Volume flow approx. 60 l/min at 1 bar flow pressure.

Connection: Female thread G3/4

Installation depth 35 to 60 mm

Art.-nr.: 70-1705 35

Accessories:

NovaLab wall sleeve for drain valve

Art.-nr.: 87-10080233

NovaLab drain valve

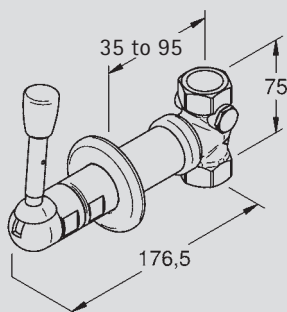
Art.-nr.: 87-34000056

NovaLab cover cap for flushing the supply pipes

Art.-nr.: 87-20000006

Upon request:

- Other colours or colour combinations.



NovaLab tilt-lever safety-shower valve for concealed mounting, actuator lever with tapered handle and sealable, axially sealing, not self-closing.

Headwork can be replaced without removing the valve body. Option to connect a drain valve G1/4.

Brass EPS-coated green RAL 6032

Meets the requirements of DIN EN 15154-1 and BGI/GUV-I 850-0 "Safe working in laboratories".

Includes push-on rosette as well as the "Safety shower" symbol on an adhesive label in compliance with ISO 3864-1 and user instructions.

Volume flow approx. 60 l/min at 1 bar flow pressure.

Connection: Female thread G3/4

Installation depth 35 to 95 mm

Art.-nr.: 70-1706 35

Accessories:

NovaLab wall sleeve for drain valve

Art.-nr.: 87-10080233

NovaLab drain valve

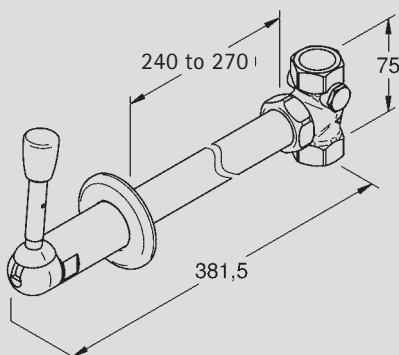
Art.-nr.: 87-34000056

NovaLab cover cap for flushing the supply pipes

Art.-nr.: 87-20000006

Upon request:

- Other colours or colour combinations.



NovaLab tilt-lever safety-shower valve for concealed mounting, actuator lever with tapered handle and sealable, axially sealing, not self-closing.

Headwork can be replaced without removing the valve body. Option to connect a drain valve G1/4.

Brass EPS-coated green RAL 6032

Meets the requirements of DIN EN 15154-1 and BGI/GUV-I 850-0 "Safe working in laboratories".

Includes push-on rosette as well as the "Safety shower" symbol on an adhesive label in compliance with ISO 3864-1 and user instructions.

Volume flow approx. 60 l/min at 1 bar flow pressure.

Connection: Female thread G3/4

Installation depth 240 to 270 mm

Art.-nr.: 70-1805 35

Accessories:

NovaLab wall sleeve for drain valve

Art.-nr.: 87-10080233

NovaLab drain valve

Art.-nr.: 87-34000056

NovaLab cover cap for flushing the supply pipes

Art.-nr.: 87-20000006

Upon request:

- Other wall thicknesses
- Other colours or colour combinations.



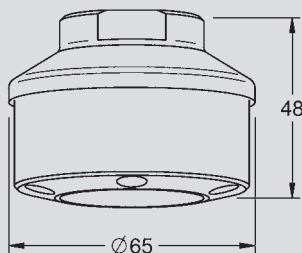
NovaLab toggle valve with tie-rod actuation for ceiling mounting, guided by tie rod, with ball handle and sealable. Maintenance-free valve, axially sealing, not self-closing. Headwork can be replaced without removing the valve body. Position of the valve to the tie rod can be adapted to the respective installation conditions by rotating the headwork of the valve. Brass EPS-coated green RAL 6032
Meets the requirements of DIN EN 15154-1 and BGI/GUV-I 850-0 "Safe working in laboratories".
Includes the "Safety shower" symbol on an adhesive label according to ISO 3864-1, user information and fastening material.
Without wall bracket and safety-shower head.
Volume flow approx. 60 l/min at 1 bar flow pressure.

Connection: Female thread G3/4

Art.-nr.: 60-1800 35

Upon request:

- Different lengths.
- Design with triangular handle instead of the ball handle.
- Other colours or colour combinations.

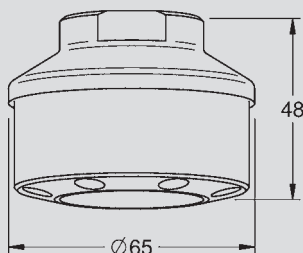


NovaLab safety-shower head with 5 nozzle orifices and symmetrical water jet, made of brass, with swirl discs, automatic drainage. Brass EPS-coated green RAL 6032
Replaceable nozzle distribution plate, nickel plated.
Meets the requirements of DIN EN 15154-1 and BGI/GUV-I 850-0 "Safe working in laboratories".
Volume flow approx. 30 l/min at 1 bar flow pressure.
Connection: Female thread G3/4

Art.-nr.: 70-1308 25

Upon request:

- Other colours.

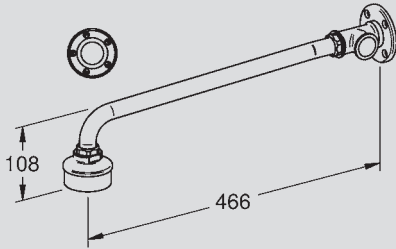


NovaLab safety-shower head with 7 nozzle orifices and symmetrical water jet, made of brass, with swirl discs, automatic drainage. Brass EPS-coated green RAL 6032
Replaceable nozzle distribution plate, nickel plated.
Meets the requirements of DIN EN 15154-1 and BGI/GUV-I 850-0 "Safe working in laboratories".
Volume flow approx. 60 l/min at 1.5 bar flow pressure.
Connection: Female thread G3/4

Art.-nr.: 70-1308 45

Upon request:

- Other colours.

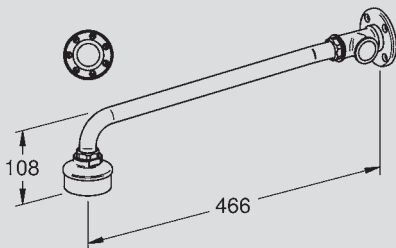


Novalab safety-shower head with wall arm for on-wall mounting, water connection on all sides possible. **Safety-shower head with 5 nozzle orifices** and swirl discs, automatic draining by gradient. Brass EPS-coated green RAL 6032
Replaceable nozzle distribution plate, nickel plated.
Meets the requirements of DIN EN 15154-1 and BGI/GUV-I 850-0 "Safe working in laboratories".
Including fastening materials.
Volume flow approx. 30 l/min at 1 bar flow pressure.
Connection: Female thread G3/4

Art.-nr.: 70-1314 25

Upon request:

- Different lengths/extensions.
- Embodiment featuring wall bracket with eyelet for additional ceiling fixture.
- Other colours or colour combinations.

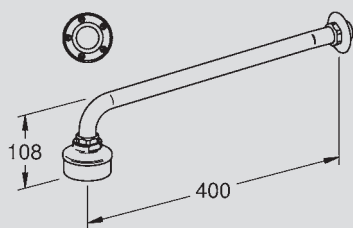


Novalab safety-shower head with wall arm for on-wall mounting, water connection on all sides possible. **Safety-shower head with 7 nozzle orifices** and swirl discs, automatic draining by gradient. Brass EPS-coated green RAL 6032
Replaceable nozzle distribution plate.
Meets the requirements of DIN EN 15154-1 and BGI/GUV-I 850-0 "Safe working in laboratories".
Including fastening materials.
Volume flow approx. 60 l/min at 1.5 bar flow pressure.
Connection: Female thread G3/4

Art.-nr.: 70-1314 35

Upon request:

- Different lengths/extensions.
- Embodiment featuring wall bracket with eyelet for additional ceiling fixture.
- Other colours or colour combinations.

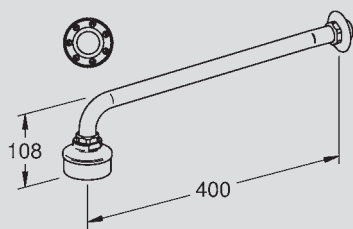


NovaLab safety-shower head with wall arm and rosette. Safety-shower head with 5 nozzle orifices and swirl discs, automatic draining by gradient. Brass EPS-coated green RAL 6032
Replaceable nozzle distribution plate, nickel plated.
Meets the requirements of DIN EN 15154-1 and BGI/GUV-I 850-0 "Safe working in laboratories".
Volume flow approx. 30 l/min at 1 bar flow pressure.
Connection: Male thread G3/4B

Art.-nr.: 70-1313 25

Upon request:

- Different lengths/extensions.
- Embodiment featuring wall bracket with eyelet for additional ceiling fixture.
- Other colours or colour combinations.

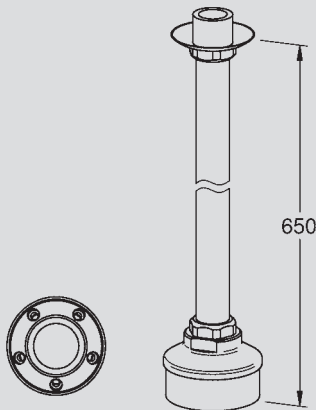


NovaLab safety-shower head with wall arm and rosette. Safety-shower head with 7 nozzle orifices and swirl discs, automatic draining by gradient. Brass EPS-coated green RAL 6032
Replaceable nozzle distribution plate, nickel plated.
Meets the requirements of DIN EN 15154-1 and BGI/GUV-I 850-0 "Safe working in laboratories".
Volume flow approx. 60 l/min at 1.5 bar flow pressure.
Connection: Male thread G3/4B

Art.-nr.: 70-1313 35

Upon request:

- Different lengths/extensions.
- Embodiment featuring wall bracket with eyelet for additional ceiling fixture.
- Other colours or colour combinations.



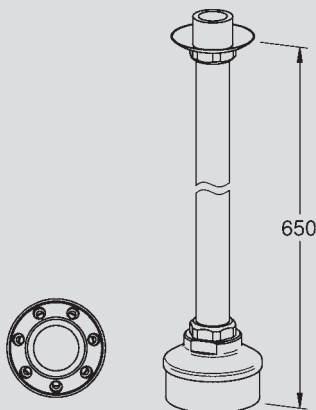
NovoLab safety-shower head with pipe connection for ceiling mounting.

Safety-shower head with 5 nozzle orifices and swirl discs, automatic draining by gradient. Brass EPS-coated green RAL 6032. Replaceable nozzle distribution plate, nickel plated. Meets the requirements of DIN EN 15154-1 and BGI/GUV-I 850-0 "Safe working in laboratories". Volume flow approx. 30 l/min at 1 bar flow pressure. Connection: Male thread G3/4B

Art.-nr.: 70-1390 25

Upon request:

- Different lengths.
- Other colours or colour combinations.



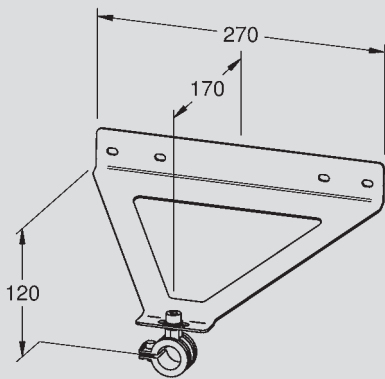
NovoLab safety-shower head with pipe connection for ceiling mounting.

Safety-shower head with 7 nozzle orifices and swirl discs, automatic draining by gradient. Brass EPS-coated green RAL 6032 Replaceable nozzle distribution plate, nickel plated. Meets the requirements of DIN EN 15154-1 and BGI/GUV-I 850-0 "Safe working in laboratories". Volume flow approx. 60 l/min at 1.5 bar flow pressure. Connection: Male thread G3/4B

Art.-nr.: 70-1390 35

Upon request:

- Different lengths.
- Other colours or colour combinations.



NovaLab wall bracket fixation

for safety-shower wall bracket 3/4" for use in drywall or as protection against vandalism.

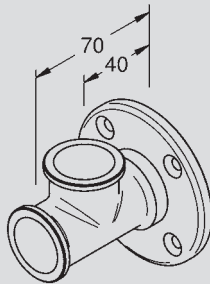
Steel plate, EPS-coated green RAL 6032

Including fastening materials.

Art.-nr.: 71-1315 35

Upon request:

- Other colours



NovaLab wall connector piece G3/4 for surface mounting,

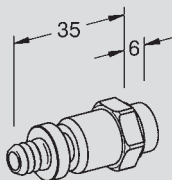
for fastening wall bracket and connecting pipeline. 4-fold screw fastening, brass EPS coated green RAL 6032.

Including fastening materials.

Art.-nr.: 87-10080176

Upon request:

- Other colours

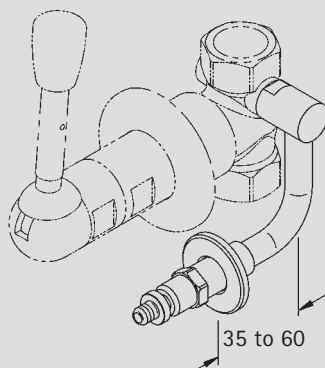


NovaLab drain valve for tilt-lever safety-shower valves

with socket for hose connection, nickel-plated brass.

Connection: Male thread G1/4B

Art.-nr.: 87-34000056



Wall bushing for drain valve

to toggle valves for concealed mounting 70-1705 35, connection to the valve body with male thread G1/4B before in-wall mounting, connection for drain valve G1/4, with wall rosette.

Art.-nr.: 87-10080233

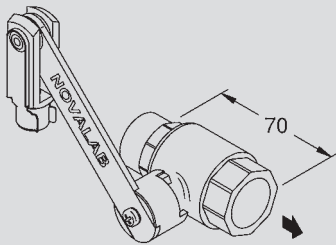
Upon request:

- Wall bushing for toggle valve 70-1706 35.



NovoLab sealing cap with seal for the valve housing 70-1704/05/06, for flushing the pipeline before installing the headwork.
Connector thread M32x1.5

Art.-nr.: **87-20000006**

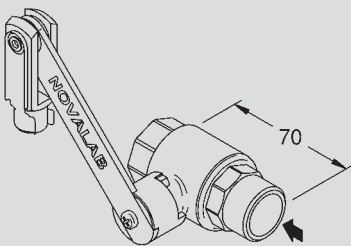


NovoLab ball valve with the valve lever for safety showers.
Nickel-plated / EPS-coated green RAL 6032.
Connector threads: Inlet male thread G3/4B | Outlet female thread G3/4

Suitable for the following safety showers:

70-1710/15 35	70-1720/25 35
70-1740/45 35	70-1750/55 35
70-1770/75 35	70-1780/85 35
70-1790/95 35	

Art.-nr.: **87-10080192**

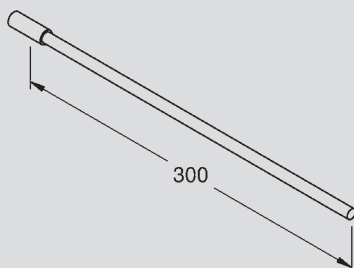


NovoLab ball valve with the valve lever for safety showers.
Nickel-plated / EPS-coated green RAL 6032.
Connector threads: Inlet male thread G3/4B | Outlet female thread G3/4

Suitable for the following safety showers:

70-1730/35 35

Art.-nr.: **87-10080180**



NovoLab extension for coupling rod for large door widths, 300 mm long.
Brass EPS-coated green RAL 6032

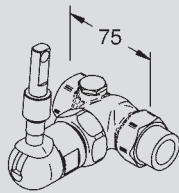
Suitable for the following safety showers:

70-1720/25 35	70-1820/25 35
70-1780/85 35	

Art.-nr.: **87-10080194**

Upon request:

- Different lengths.
- Other colours.



NovaLab toggle valve. Brass EPS-coated green RAL 6032
Connector threads: Inlet male thread G3/4B | Outlet female thread G3/4

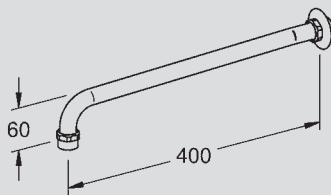
Suitable for the following safety showers:

60-1820/25 35	60-1830/35 35
60-1840/45 35	60-1850/55 35

Art.-nr.: 87-10080235

Upon request:

- Other colours or colour combinations.

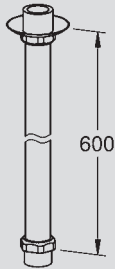


NovaLab wall arm with rosette for safety-shower heads,
automatic draining by gradient.
Brass EPS-coated green RAL 6032
Connection: Male thread G3/4B

Art.-nr.: 70-1311 35

Upon request:

- Different lengths/extensions.
- Embodiment featuring wall bracket with eyelet for additional ceiling fixture.
- Other colours.



Novalab pipe connection for ceiling mounting.

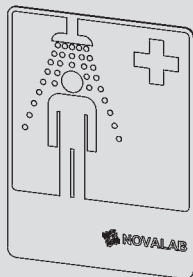
Brass EPS-coated green RAL 6032

Connection: Male thread G3/4B

Art.-nr.: 70-1392 35

Upon request:

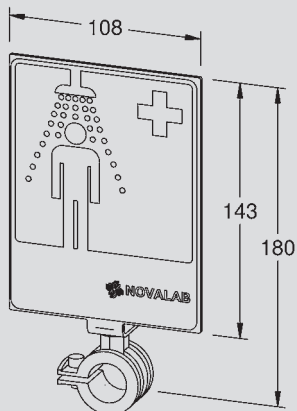
- Different lengths.
- Other colours.



Novalab safety symbol "Safety shower"

for body shower, on an adhesive label according to ISO 3864-1, colour green/white, symbol 100 mm x 100 mm

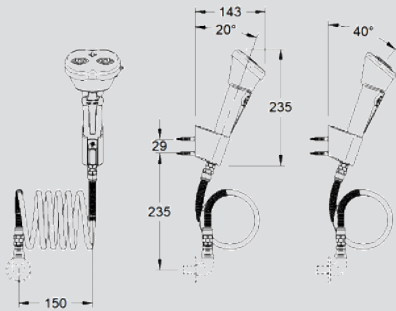
Art.-nr.: 87-18000008



Novalab safety symbol "Safety shower" for mounting on wall brackets

in accordance with ISO 3864-1, colour green/white, symbol 100 mm x 100 mm. For mounting on a metal support plate with attachment clip for Ø22mm tube. Alignment of the safety symbol opposite the mounting bracket is adjustable. Surface EPS-coated green RAL 6032.

Art.-nr.: 87-10080242



NovaLab eye- and face-wash fountain with 2 nozzles for mounting on walls, with spiral pressure hose arranged right or left. Hand shower with device for accurate positioning, for stationary and flexible use, flow controllers for constant water delivery and jet height, dust cap, non-return valve and dirt strainer Non-self-closing.

Housing in rugged plastic/metal construction, green RAL 6032, with wall bracket.

Meets the requirements of EN 15154-2 and BGI/GUV-I 850-0 "Safe working in laboratories".

Including the "Eye-wash fountain" symbol on an adhesive label according to ISO 3864-1, user information and fastening material.

Volumetric flow 2 x 6 l/min constant from 1 bar flow pressure.

Art.-nr.: 70-1346 15

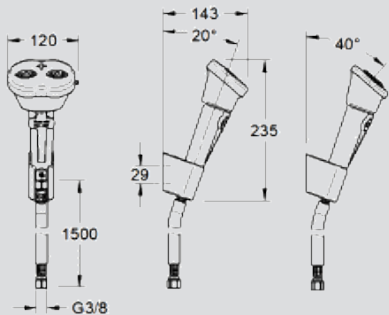
NovaLab connector knee with wall rosette

for hand-eye-wash fountain, brass EPS-coated green. RAL 6032.

Connection: Male thread G3/8B.



Art.-nr.: 71-1060 15



NovaLab eye- and face-wash fountain with 2 nozzles for mounting on walls, with stainless-steel sheathed pressure hose, hand shower with device for accurate positioning, for stationary and flexible use, flow controllers for constant water delivery and jet height, dust cap, non-return valve and dirt strainer Non-self-closing.

Housing in rugged plastic/metal construction, green RAL 6032, with wall bracket.

Meets the requirements of EN 15154-2 and BGI/GUV-I 850-0 "Safe working in laboratories".

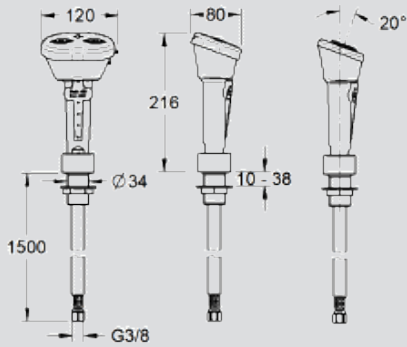
Including the "Eye-wash fountain" symbol on an adhesive label according to ISO 3864-1,

user information and fastening material.

Volumetric flow 2 x 6 l/min constant from 1 bar flow pressure.

Tube connector union nut G3/8.

Art.-nr.: 70-1344 15



NovoLab eye- and face-wash fountain with 2 nozzles for table mounting, with stainless steel sheathed pressure hose, sunk.

Hand shower with device for accurate positioning, for stationary and flexible use, flow controllers for constant water delivery and jet height, dust cap, non-return valve and dirt strainer.

Non-self-closing.

Housing in rugged plastic/metal construction, green RAL 6032, with table grommet.

Meets the requirements of EN 15154-2 and BGI/GUV-I 850-0 "Safe working in laboratories".

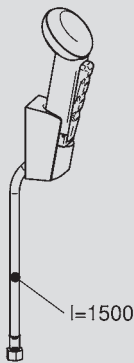
Includes the "Eye-wash fountain" symbol on an adhesive label in compliance with ISO 3864-1 and user instructions.

Volumetric flow 2 x 6 l/min constant from 1 bar flow pressure.

Table grommet with locknut.

Tube connector union nut G3/8.

Art.-nr.: 70-1340 15



NovoLab eye- and face-wash fountain with 2 nozzles, for wall mounting in laboratory facilities, with stainless-steel sheathed pressure hose, sunk.

Hand shower with device for accurate positioning, for stationary and flexible use, flow controllers for constant water delivery and jet height, dust cap, non-return valve and dirt strainer. Non-self-closing. Housing in rugged plastic/metal construction, green RAL 6032, with combined wall bracket and grommet.

Meets the requirements of EN 15154-2 and BGI/GUV-I 850-0 "Safe working in laboratories".

Including the "Eye-wash fountain" symbol on an adhesive label according to ISO 3864-1, user information and fastening material.

Volumetric flow 2 x 6 l/min constant from 1 bar flow pressure.

Tube connector union nut G3/8.

Art.-nr.: 70-1342 15

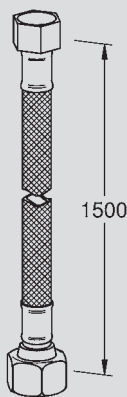


NovaLab connector knee with wall rosette

for hand-eye-wash fountain, brass EPS-coated green. RAL 6032.

Connection: Male thread G3/8B.

Art.-nr.: 71-1060 15

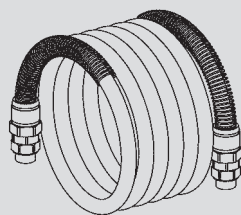


NovaLab hose, stainless-steel sheathing,

for hand-eye-fountain.

Connection: Union nut G3/8.

Art.-nr.: 87-2400006



NovaLab spiral hose, green, for hand-eye fountain, 1500 mm long.

Connection: Male thread G1/4B.

Art.-nr.: 87-2400008

NovaLab wall mount

for hand-eye fountain.

With screw fixture.

Art.-nr.: 87-10080252

NO PICTURE

NO PICTURE

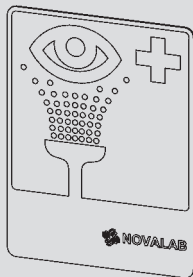
NovaLab table grommet
for hand-eye fountain.

Art.-nr.: 87-10080253

NO PICTURE

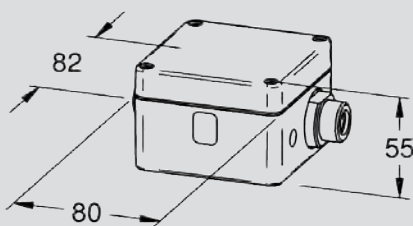
NovaLab wall mount and wall grommet
for hand-eye fountain.
With screw fixture.

Art.-nr.: 87-10080278



NovaLab "Safety shower" safety symbol
for body shower, on an adhesive label according to ISO 3864-1,
colour green/white, symbol 100 mm x 100 mm

Art.-nr.: 87-18000022



NovaLab Hygiene flushing module

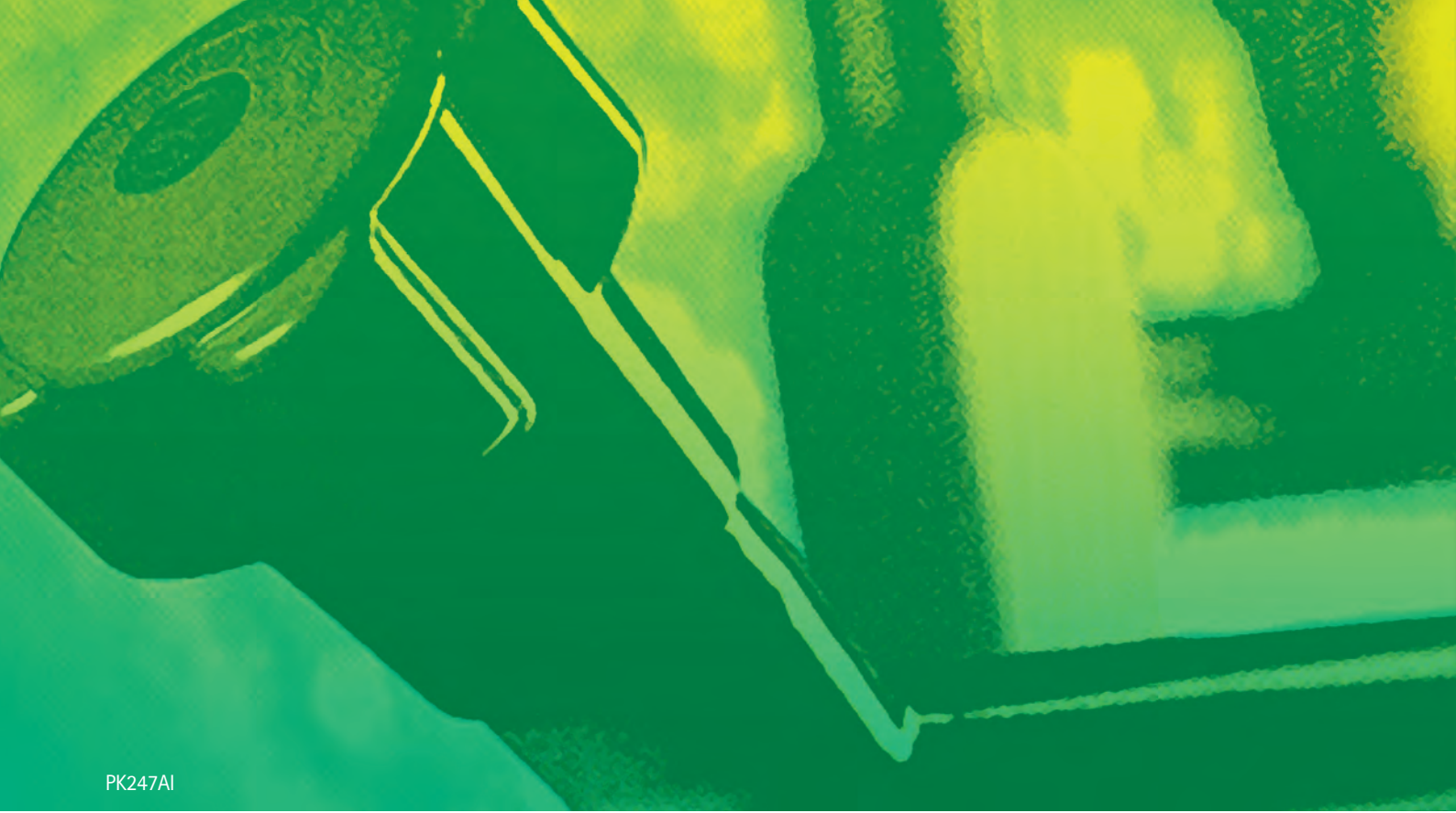
for the cyclical flushing of water pipes with stagnation risks.
For supply lines with WPC, WPH, WNC and WNH,
fully ready to install unit with integrated solenoid valve with
integrated programmable control electronics (adjustable rinsing
time and adjustable rinsing intervals)
Water connection: G1/2B with integrated flow controller of
choice of 6 l / min, 9 l / min and 12 l / min
power supply with 6 V.battery,
protection according to DIN EN 60529: IP 67

Art.-nr.: 5001000001

NovaLab Hygiene flushing module

Like above, but with power socket 240V
protection according to DIN EN 60529: IP 67

Art.-nr.: 5001000002



PK247AI

design www.didomeso.de

NovaLab GmbH
Brunsbütteler Damm 440
13591 Berlin, Germany
Phone: +49 (0)30 36 403 36 11
Fax: +49 (0)30 36 403 36 28
www.novalab-gmbh.de

